



mio

mio plus

User manual

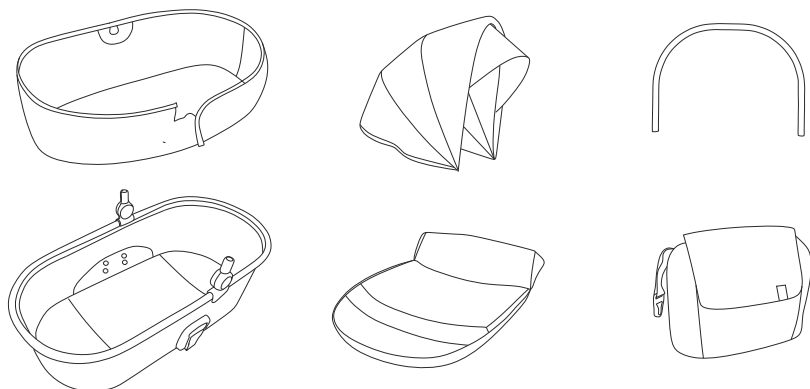
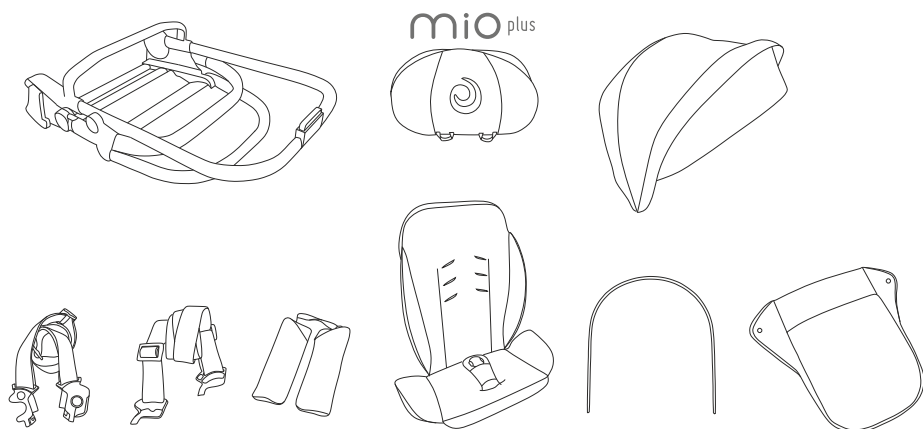
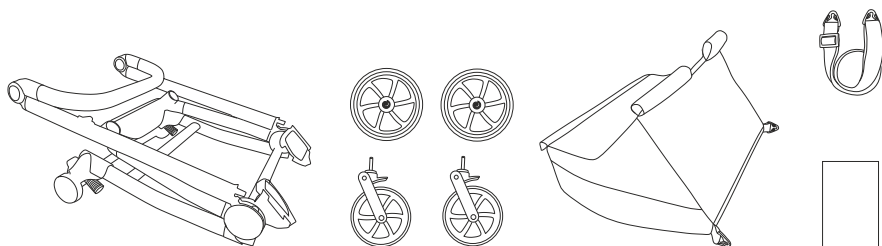
Uživatelská příručka / Benutzerhandbuch /
Kasutusjuhend / Käyttöohje / Manuel d'utilisation /
Manuel de l'utilisateur / Gaminio instrukcija /
Lietotāja rokasgrāmata / Brukermanual /
Instrukcija obslūgi / Руководство пользователя /
Bruksanvisning / Інструкція користувача

Video guide:



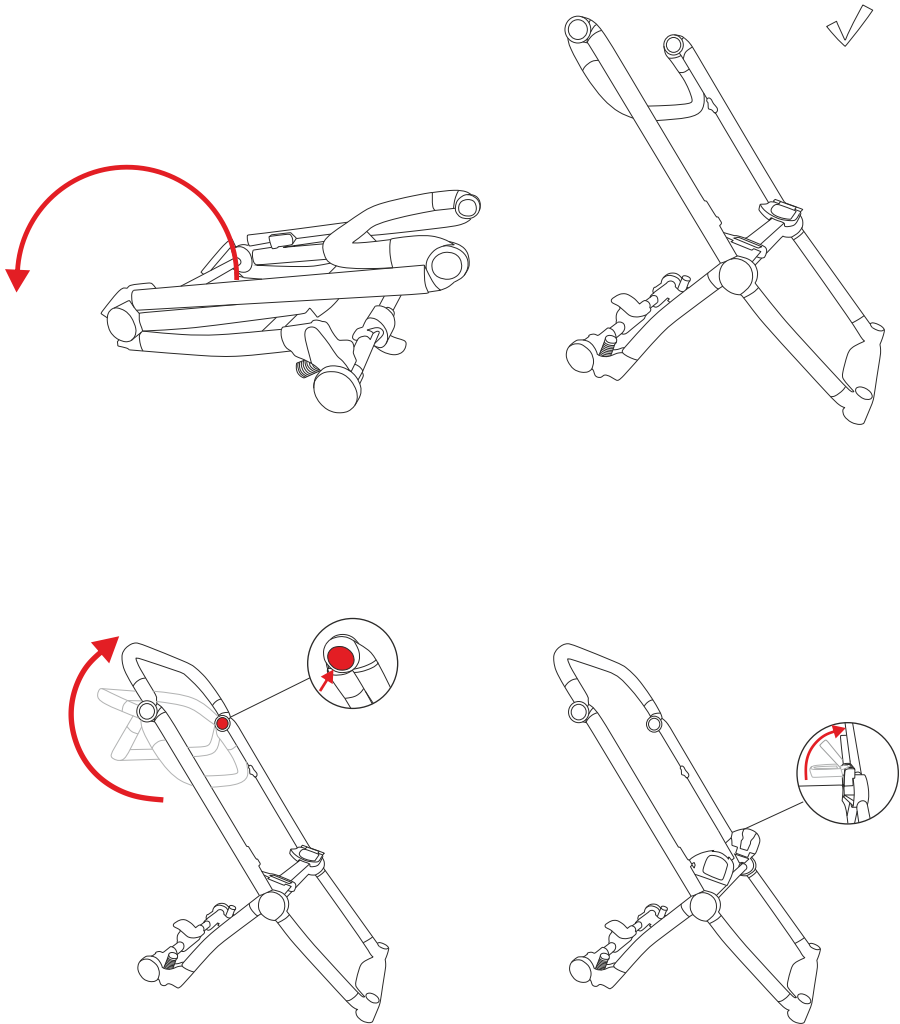
(EN) English.....	21
(CZ) Čeština.....	26
(DE) Deutsch.....	31
(EE) Eestlane.....	37
(FI) Suomalainen.....	42
(IT) Italiano	47
(FR) Français.....	53
(LT) Lietuvių	59
(LV) Latvisks.....	64
(NOR) Norsk	69
(PL) Polski	74
(RU) Русский	79
(SE) Svenska	87
(UA) Українська.....	92

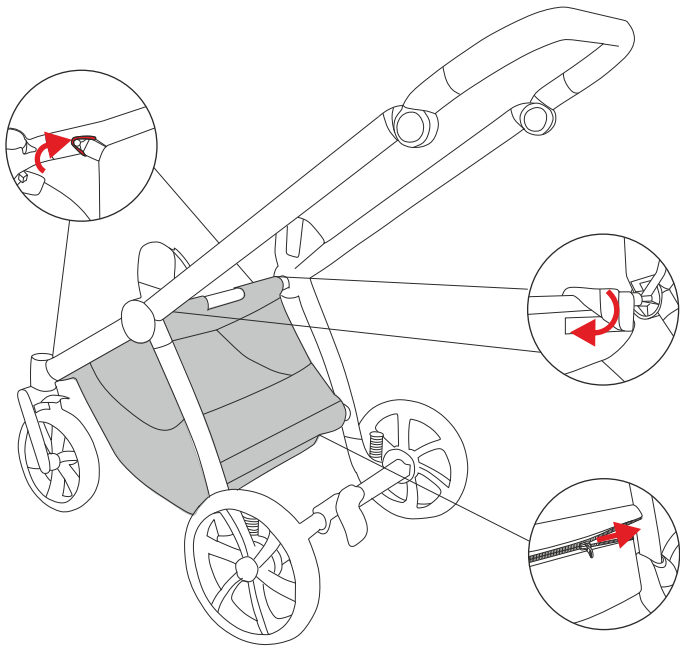
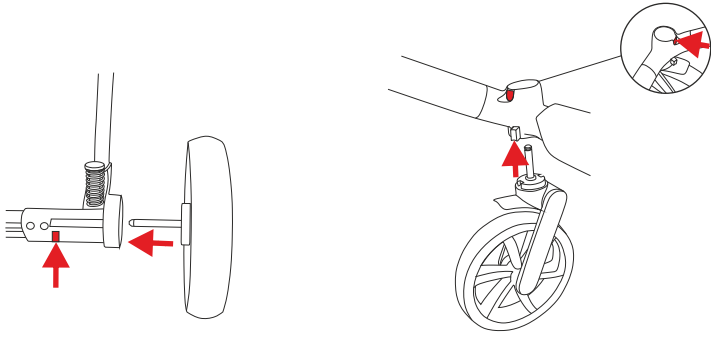
Inside the box / Obsah balení / Verpackung / Komplekti sisu /
Pakkauksen sisältö / Dentro la scatola / Intérieur de la boîte /
Pakuotės turinys / Iepakojums / Inne i esken / Zawartość pudełka /
Что в коробке / Inuti lādan / Упаковка



Chassis / Příprava podvozku / Vorbereitung des Fahrgestells /
Raami ettevalmistamine / Rungon kokoonpano / Assemblaggio telaio /
Configuration du châssis / Važiuklės paruošimas / Šasijos sagatavošana /
Oppsett av chassis / Przygotowanie ramy / Подготовка шасси /
Chassiuppställning / Підготовка шасі

Set-up / Příprava / Aufbau / Seadistamine / Kokoaminen / Montaggio / Montage /
Paruošimas / Iestatīšana / Sette sammen / Montáž / Установка / Installera /
Встановлення

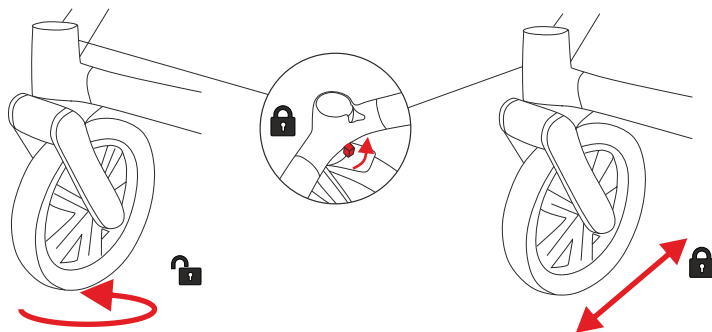




Functions / Vlastnosti / Funktionen / Funktsioonid / Toiminnot / Funzioni / Fonctions / Savybės / Īpašības / Funksjoner / Funkcje / Функции / Funktioner / Функції

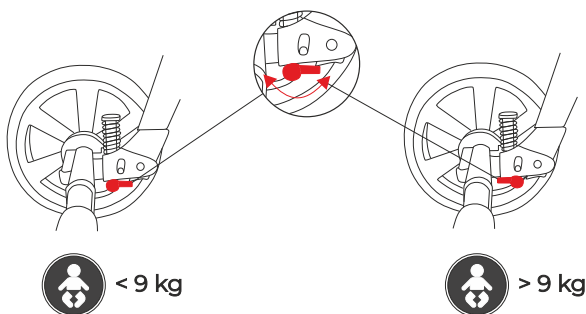
Wheels / Kola / Räder /

Rattad / Pyörät /
Ruote / Roues /
Ratai / Riteni /
Hjul / Kola /
Колеса / Hjul /
Колеса



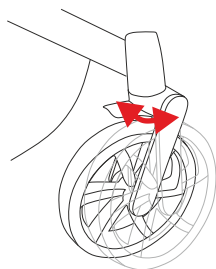
Suspension /

Tlumiče nárazů /
Federung /
Vedrustus /
Jousitus /
Sospensioni /
Suspension /
Amortizācija /
Amortizācija /
Hjuloppheng /
Amortyzacja /
Амортизация /
Fjädringssystem /
Амортизатори



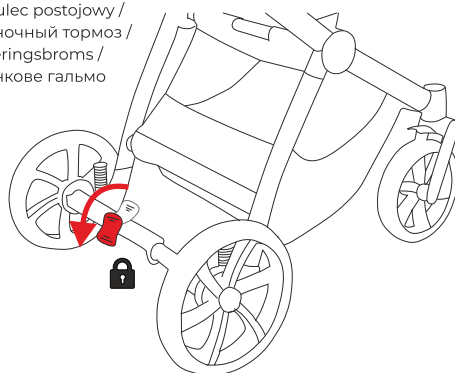
Shock absorption / Amortizace /

Stoßdämpfung / Amortisaator /
Iskunvaimennus / Ammortizzazione /
Absorption des chocs / Amortizacija /
Amortizācija / Støtdemping /
Amortyzacja / Амортизация /
Støtdæmpning / Амортизація



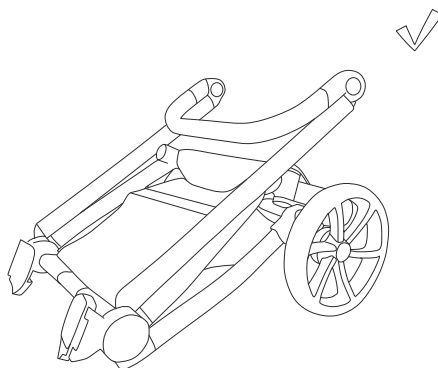
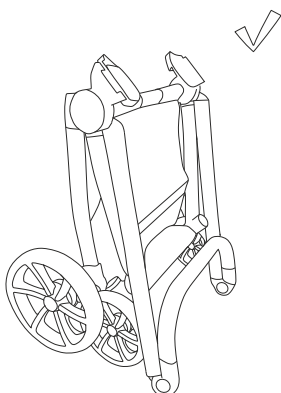
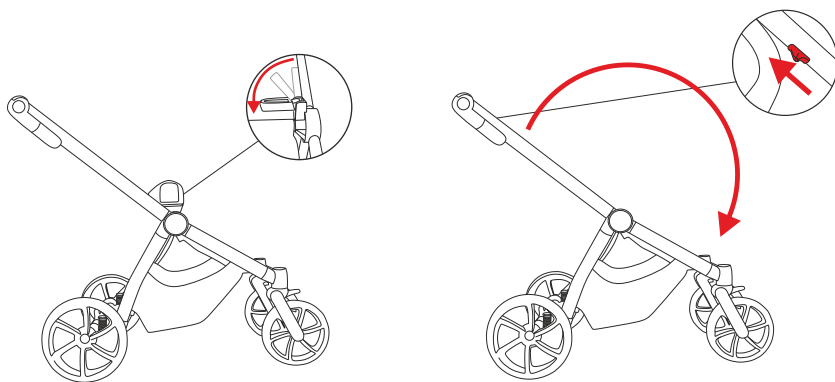
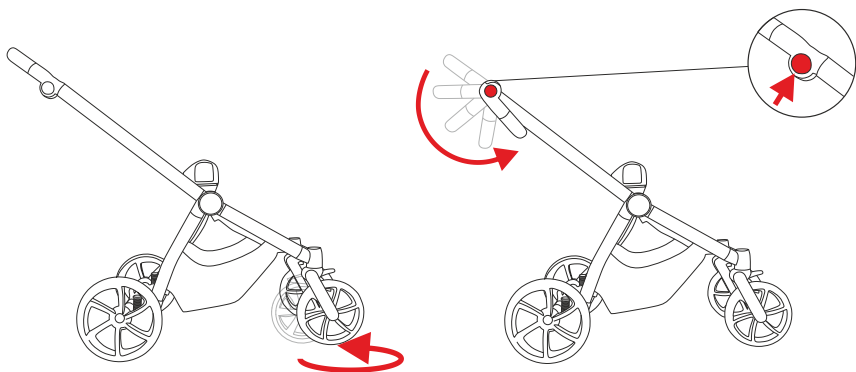
Parking brake / Parkovací brzda / Feststellbremse /

Parkimispidur / Pysäköintijarru / Freno di stazionamento /
Frein de stationnement / Stovėjimo stabdys / Stävbremze /
Parkeringsbrems /
Hamulec postojowy /
Стояночный тормоз /
Parkeringsbroms /
Стоянкове гальмо



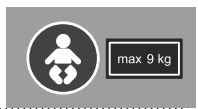
Chassis folding / Skládání podvozku /

Zusammenklappen des Fahrgestells / Raami kokkupanek / Rungon taitto /
/ Ripiegamento telaio / Pliage du châssis / Važiuklės sulankstymas /
Šasiņas salocīšana / Understell Brette / Składanie podwozia /
Складывание шасси / Ihopfällning av chassit / Складання шасі



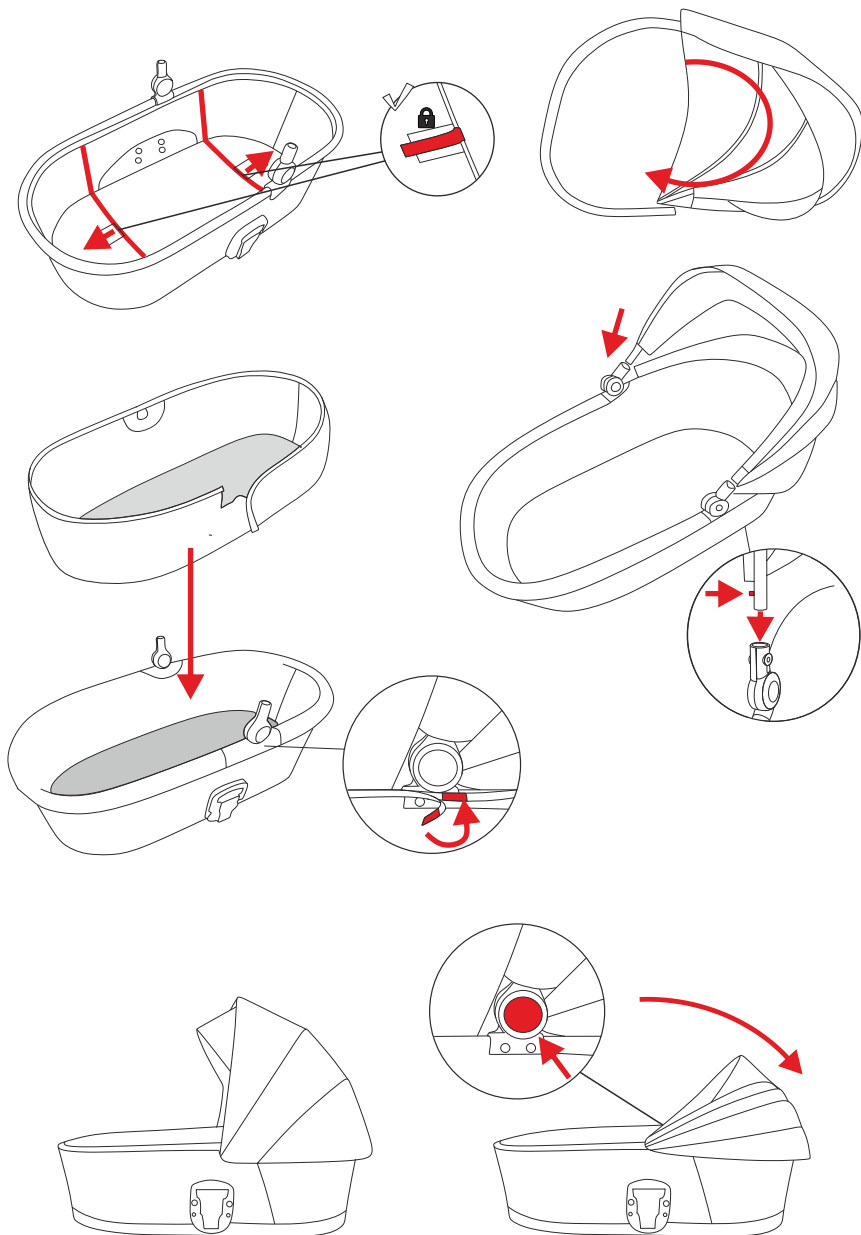
Carrycot / Korbička / Babytrageetasche / Häll /

Lastenvaunut / Navicella / Nacelle / Lopšys / Kulbiņa / Bæreseng /
Gondola / Люлька / Liggdel / Люлька



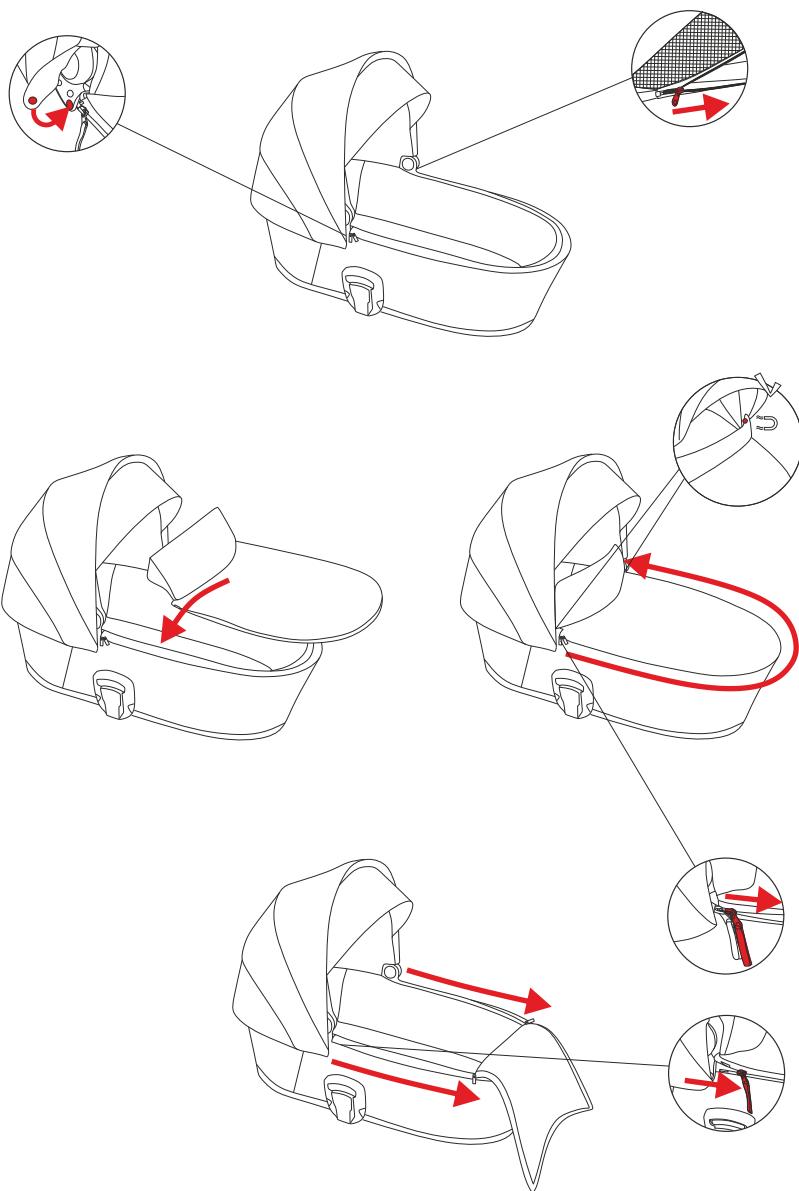
Set-up / Příprava / Aufbau / Seadistamine / Kokoaminen / Montaggio / Montage /

Paruošimas / Iestatišana / Sette sammen / Montaž / Установка / Installera /
Встановлення



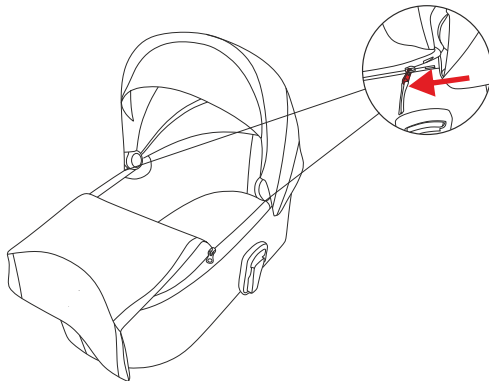
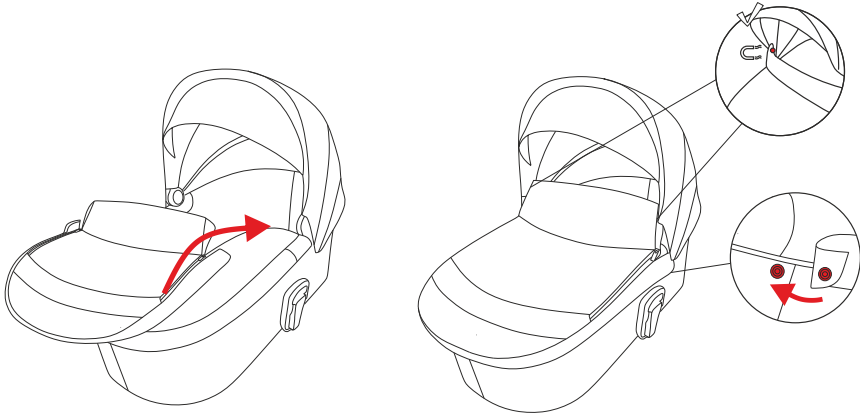
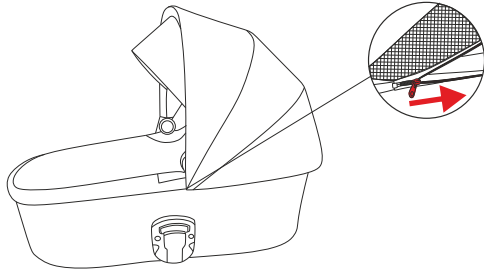
Set-up / Příprava / Aufbau / Seadistamine / Kokoaminen / Montaggio / Montage /
Paruošimas / Iestatīšana / Sette sammen / Montaż / Установка / Installera /
Встановлення

mio plus



Set-up/ Příprava / Aufbau / Seadistamine / Kokoaminen / Montaggio / Montage /
Paruošimas / Iestatīšana / Sette sammen / Montaż / Установка / Installera /
Встановлення

mio

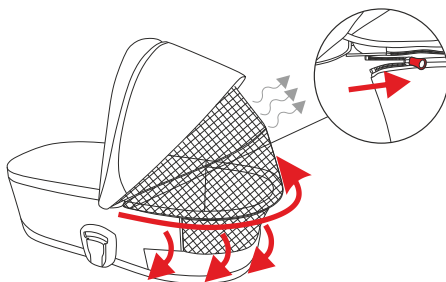


Functions / Vlastnosti / Funktionen / Funktsioonid /
 Toiminnot / Funzioni / Fonctions / Savybės / Įpašības / Funksjoner /
 Funkcje / Функции / Funktioner / Функції

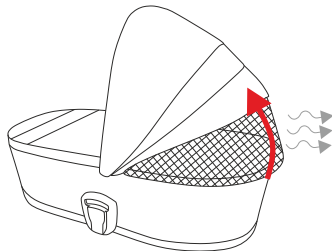
Ventilation /

Větrání /
 Lüftung /
 Õhutus /
 Tuuletus /
 Ventilazione /
 Ventilation /
 Vēdināšana /
 Ventilasjon /
 Wentylacja /
 Вентиляция /
 Ventilation /
 Вентиляція

mio plus

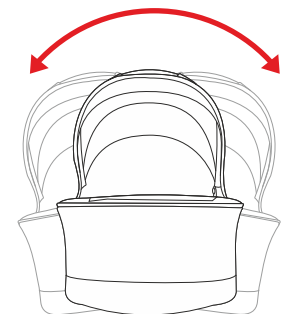


mio



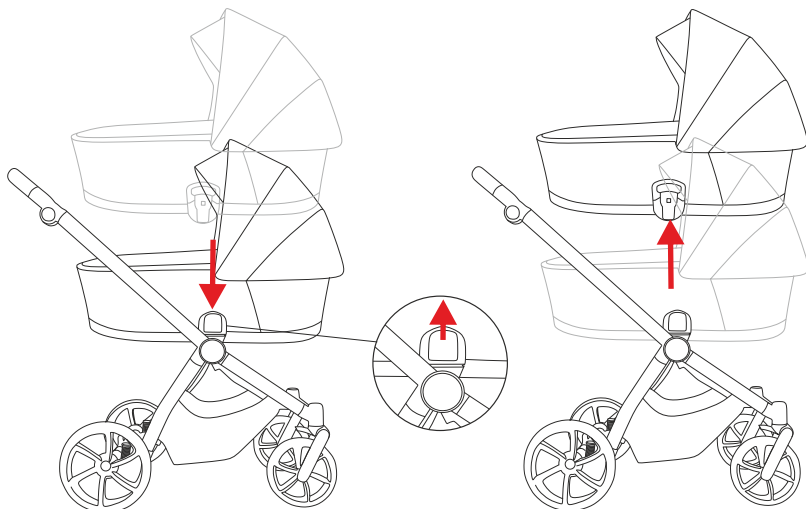
Swinging /

Houpání /
 Schaukeln / Kiikumine / Heiluva
 / Dondolo / Balancement /
 Supimas / Šūpošana /
 Svingende / Funkcja kotyski /
 Функция бокового качания /
 Svängande / Коливання



Insert and remove carrycot /

Vložit / vyjmout korbíčku / Tragetasche einsetzen und entfernen /
 Sisestage ja eemaldage kandekott / Aseta ja irrota kantolaukku / Inserimento e rimozione culla / Insérer et retirer la nacelle /
 Lopšio uždėjimas ir nuėmimas / Ievietojiet un izņemiet ratiņus / Sett inn og fjern vognen / Montaż i demontaż gondoli /
 Вставити і снять люльку / Sätt i och ta bort bärsängen / Вставте та вийміть люльку



Seat unit / Sedačka / Sitzinheit / Istmeosa / Istuinosa /

Seduta / Siège / Sédima dalis / Sēžamā daļa / Seteenhet /

Siedzisko spacerowe / Прогулочный блок / Sittdel /

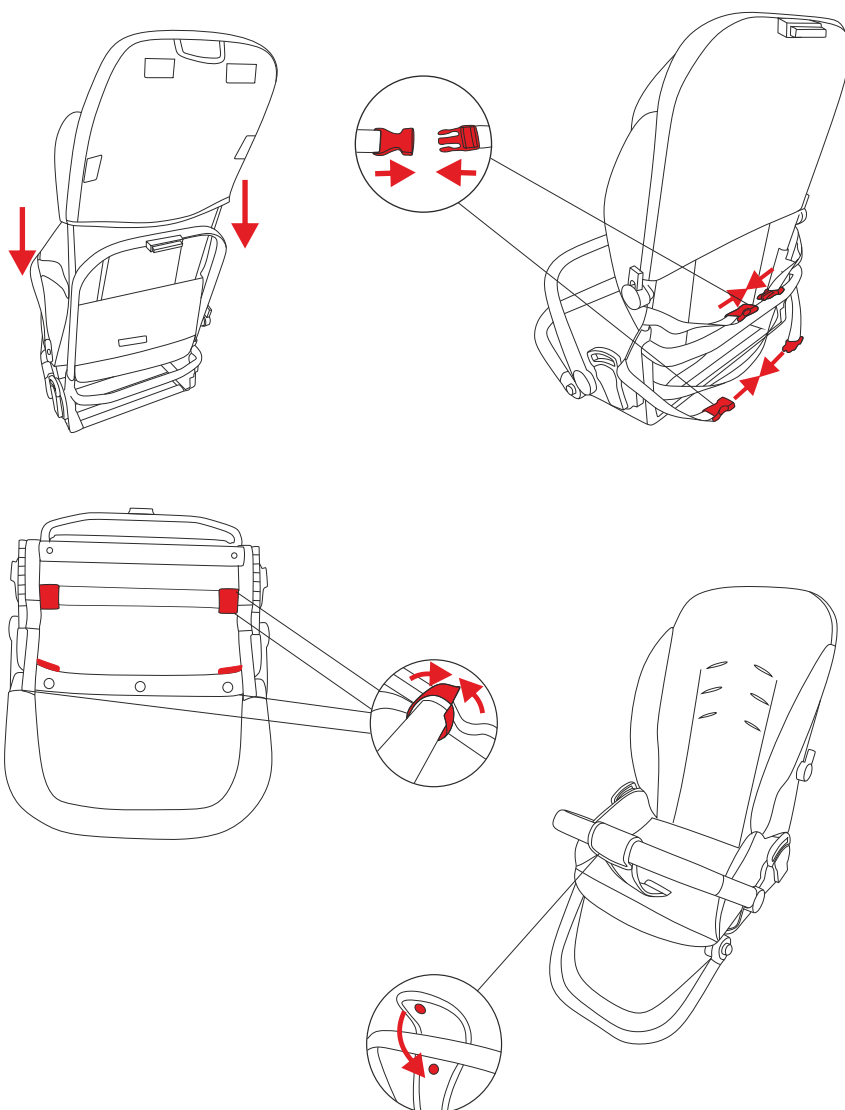
Сидяча частина



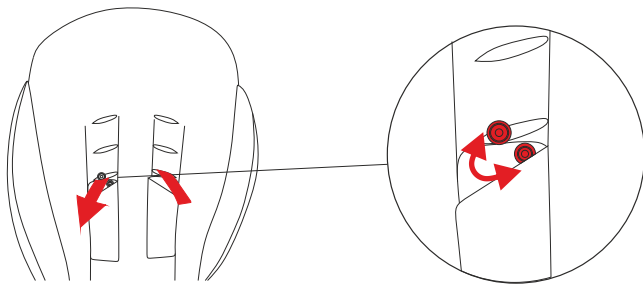
Set-up / Příprava / Aufbau / Seadistamine / Kokoaminen / Montaggio / Montage /

Paruošimas / Iestatīšana / Sette sammen / Montáž / Установка / Installera /

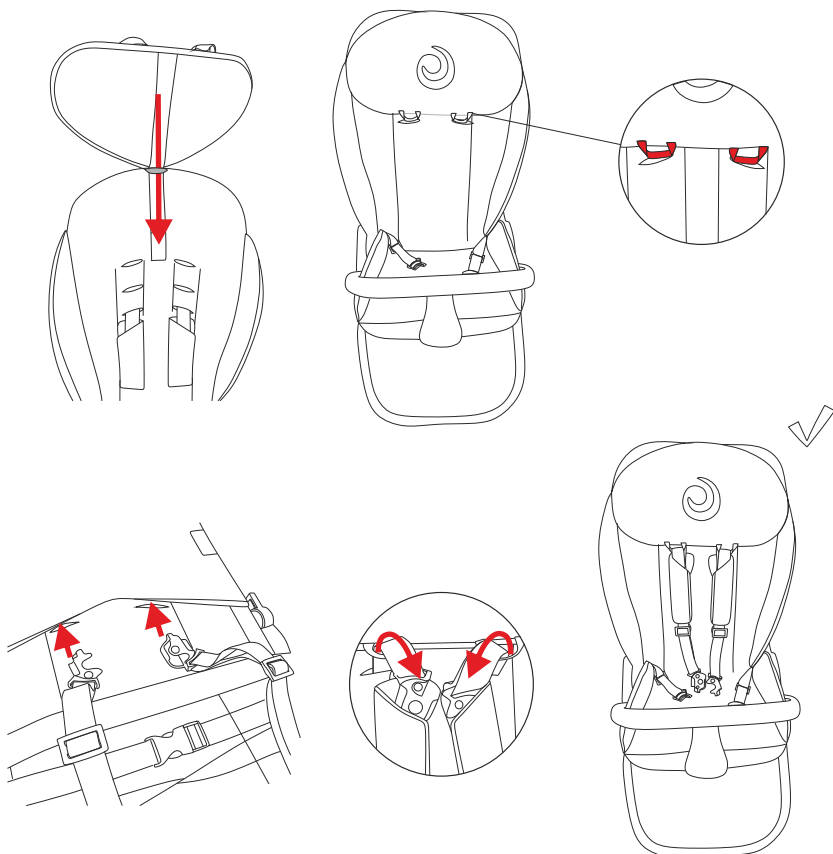
Встановлення



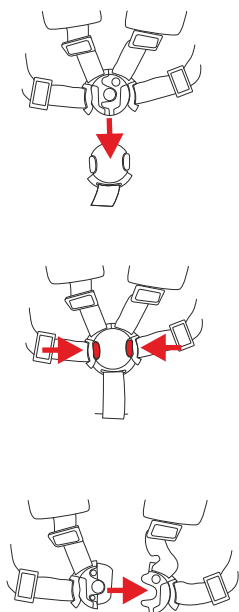
Harness / Bezpečnostní pásy / Gurtzeug / Rakmed / Suojus /
Imbracatura / Harnais / Saugos diržai / Drošības jostas / Seletoy /
Pasy bezpieczeństwa / Ремни безопасности / Sele / Ремені безпеки



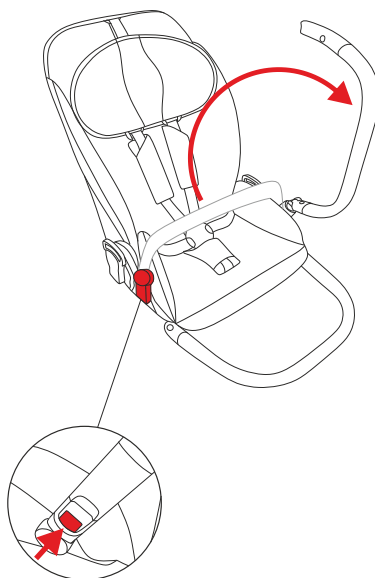
mio plus



Buckle / Přezka / Schnalle / Pannal / Solki
/ Fibbia / Boucle / Săgțis / Sprădze / Spenne /
Klamra / Фиксатор / Spănne / Фиксатор

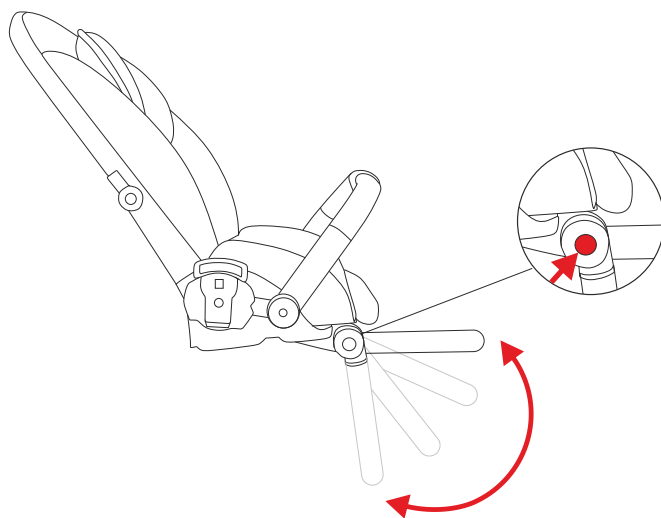


Bumper bar / Madlo / Schutzbügel / Turvatöke /
Etutanko / Barra paracolpi / Lame de pare-chocs /
Vuomelis / Stienis / Stötfangerstang / Bariarka ochronna /
Защитный бампер / Stötfångare / Поперечина бампера

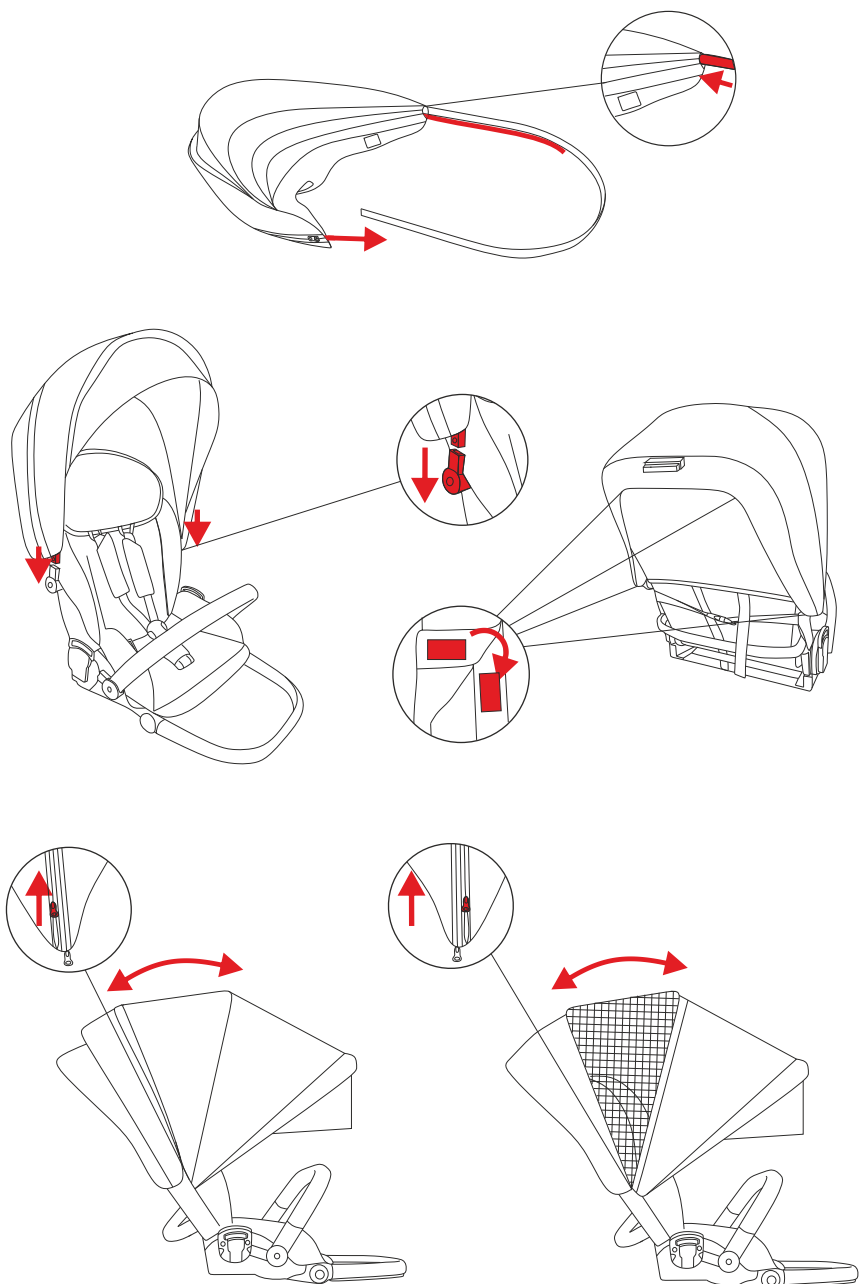


Footrest /

Opěrka nohou /
Fußstütze / Jalatugi /
Jalkatuki / Poggiapiedi /
Repose-pieds / Pakojukas /
Kāju balsts / Fotstøtte /
Podnóżek / Подножка /
Fotstöd / Підніжок

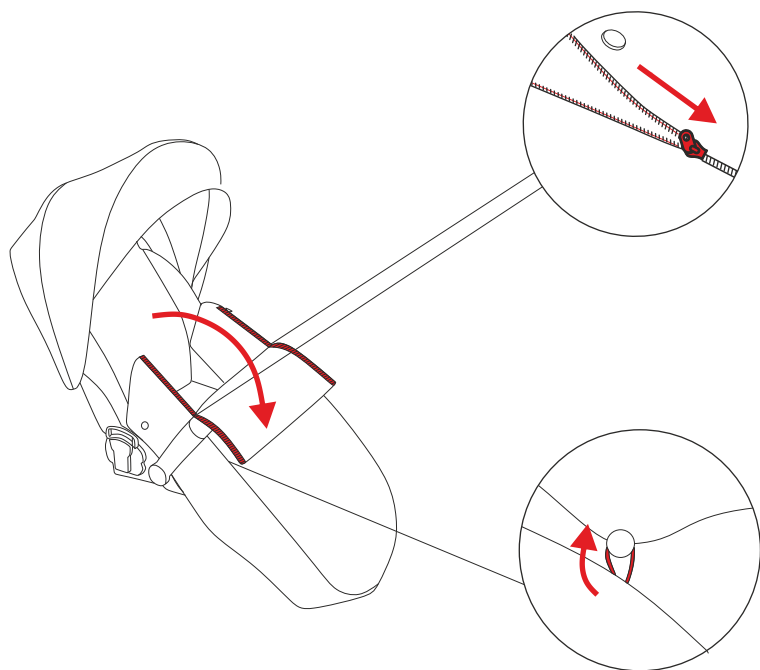
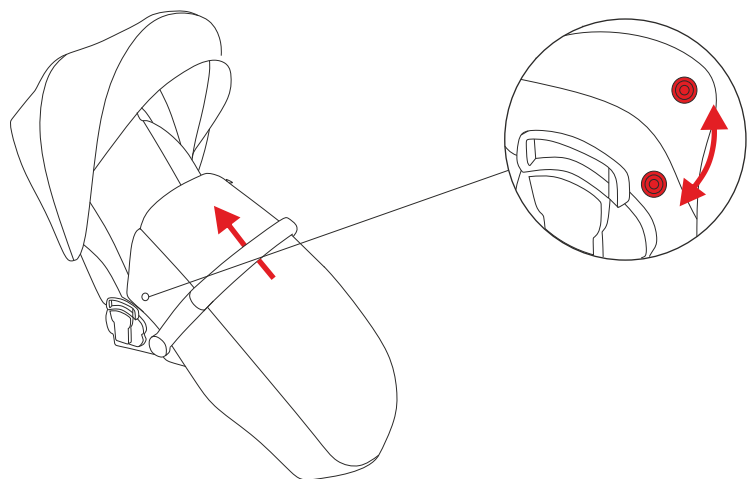


Canopy / Střecha / Verdeck / Päikesekate /
Katos / Tettuccio / Auvent / Stogas / Juntinš /
Baldakin / Budka / Солнцезащитный козырек /
Solskydd / Дашок



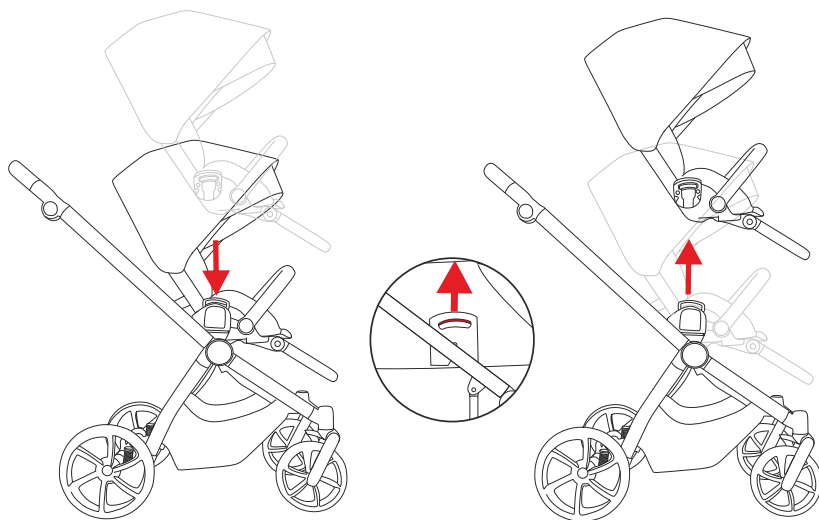
Foot cover / Kryt na nohy / Fußabdeckung / Jalgade kate /

Jalkasuojus / Coprigambe / Couvre-pieds / Koņų gaubtas / Kāju pārsegs /
Fotdeksel / Pokrowiec na półki / Накидка для ног / Fotskydd / Чохол для ніг



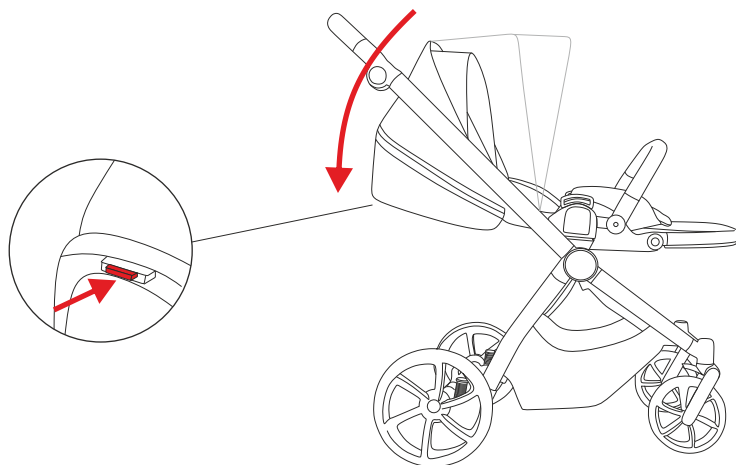
Insert and remove seat / Montáž a demontáž sedačky /

Einsetzen und Herausnehmen des Sitzes / Istme kinnitamine ja eemaldamine / Istme kiinnitys ja irrotus / Inserimento e rimozione della seduta / Installer et enlever le siège / Sėdimos dalies įstatymas ir išėmimas / Sėdekļa ievietošana un izņemšana / Installasjon og fjerning av setedel / Wkładanie i wyjmowanie siedziska / Установка и снятие сиденья / Sätt i och ta bort sätet / Встановлення та зняття сидіння



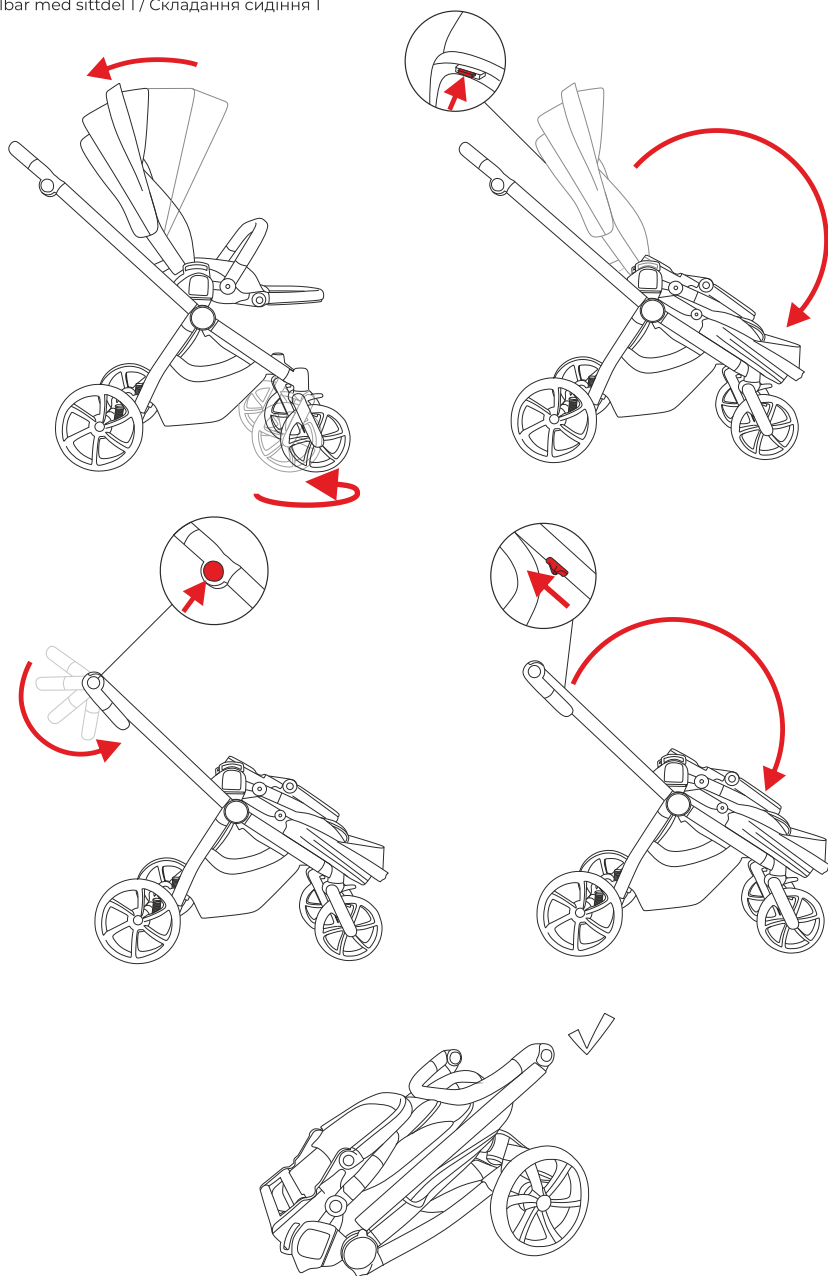
Backrest / Opėradlo / Rėckenlehne / Seljatugi / Selkėnoja /

Schienale / Dossier / Atlošas / Atzveltne / Ryggstøtte / Oparcie / Спинка сиденья / Ryggstød / Спинка сидіння

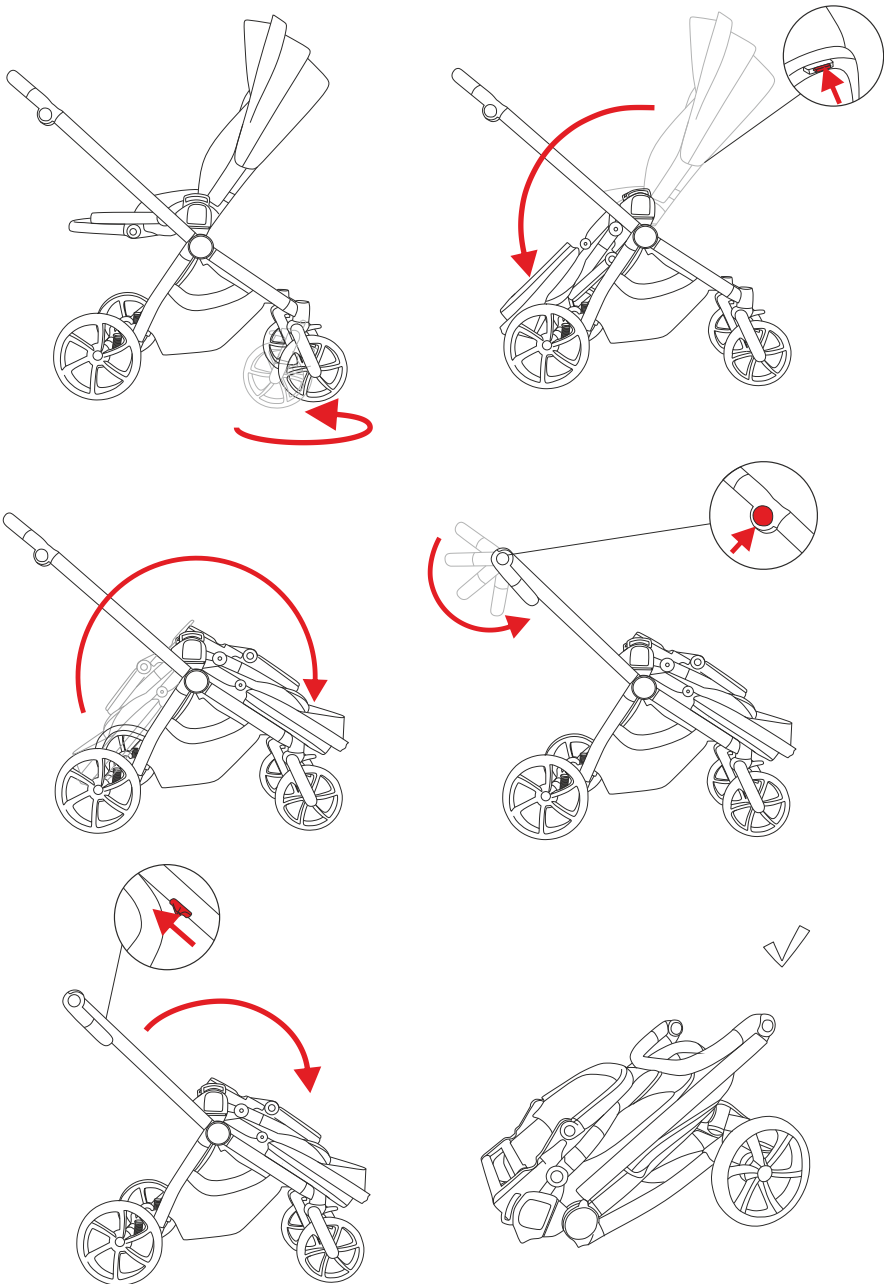


Folding with seat unit 1 / Sklopení se sedačkou 1 /

Zusammenklappen mit Sitzeinheit 1 / Kokkupandav istmeosa 1 /
Taitto istuinosan kanssa 1 / Ripiegamento con la seduta 1 / Pliage avec le siège 1 /
Sulankstymas su sėdima dalimi 1 / Salocišana ar sēžamo daļu 1 /
Sammenleggbar med seteeinheit 1 / Składanie z siedziskiem spacerowym 1 /
Складывание прогулочного блока 1 /
Fällbar med sittdel 1 / Складання сидіння 1

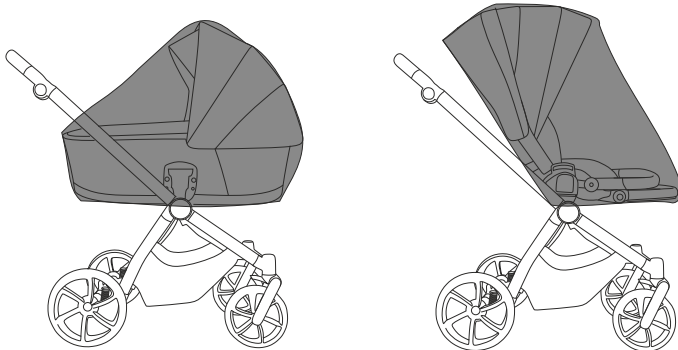


Folding with seat unit 2 / Sklopení se sedačkou 2 / Zusammenklappen mit Sitzinheit 2 /
 Kokkupandav istmeosa 2 / Taitto istuinosa kanssa 2 / Ripiegamento con la seduta 2 / Pliage avec le siège 2 /
 Sulankstymas su sėdima dalimi 2 / Salocišana ar sēžamo daļu 2 / Sammenlegbar med seteinheit 2 /
 Składanie z siedziskiem spacerowym 2 / Складывание прогулочного блока 2 /
 Fällbar med sittdel 2 / Складання сидіння 2

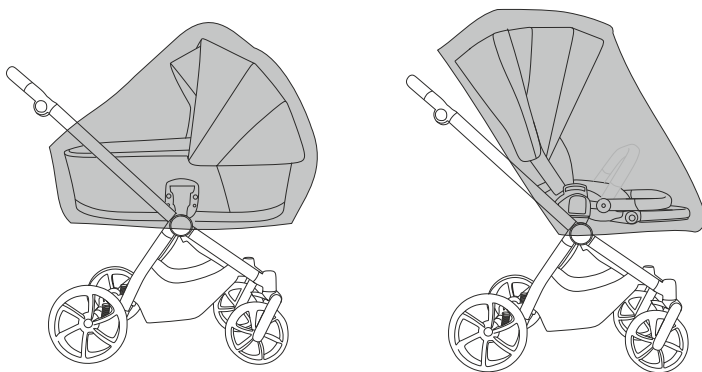


Accessories / Příslušenství / Zubehör / Tarvikud / Lisävarusteet / Accessori / Accessoires / Priedai / Piederumi / Tilbehør / Akcesoria / Аксессуары / Tillbehör / Аксессуары

Rain cover / Pláštěnka / Regenschutz / Vihmakate / Sateensuoja / Parapioggia / Housse de pluie / Apsauga nuo lietaus / Aizsardzība pret lietu / Regnbeskyttelse / Folia przeciwdeszczowa / Дождєвик / Regnskydd / Захист від дощу

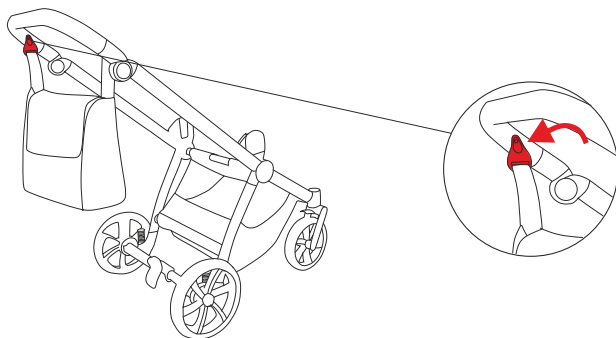


Mosquito net / Moskytiéra / Mückennetz / Sääsevõrk / Hyttysverkko / Zanzariera / Moustiquaire / Tinklelis nuo uodų / Moskitu tīkls / Myggnett / Moskitiera / Противомоскитная сетка / Myggnät / Сітка від комарів



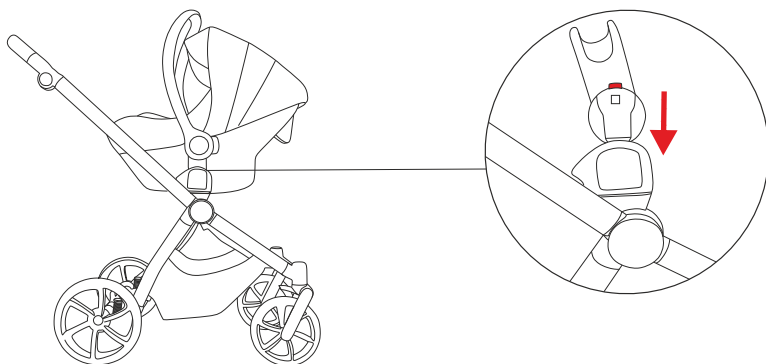
Diaper bag /

Přebalovací taška / Wickeltasche /
Mähkmekott / Vaippapussi /
Borsa per pannolini /
Sac à langer / Mamos rankinė /
Mammas rokassoma /
Bleiebag / Torba dla mamy /
Сумка-рюкзак для мамы /
Blöjväska / Мамина сумка



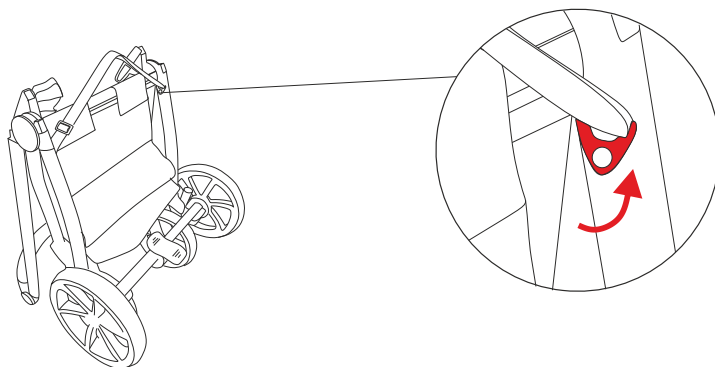
Car seat adapters / Adaptéry na autosedačku / Autositzadapter /

Autoistme adapterid / Autonistuimen sovitin / Adattatori per seggiolino auto /
Adaptateurs pour siège auto / Autokėdutės adapteriai / Autosėdekliša adapteri /
Bilstol adaptere / Adaptery do fotelika / Адаптеры для автолюльки / Bilbarnstolsadapter /
Адаптери для автомобільного кріселка



Shoulder strap / Ramenní popruh / Schultergurt / Őlarihm / Olkahiina /

Cinghia posteriore / Bretelle / Perpetinis diržas / Pleca šiksna / Skulderstropp / Pasek na
ramię / Плечевой ремень / Axelband / Плечовий ремінь



Hello adventurers,

get ready to start the magical journey of parenthood! We are so happy that Tutis stroller will accompany you on this journey.

Please read the instruction carefully and learn about all the possibilities provided by Tutis stroller. This will help to ensure the safety and comfort of your baby.

Enjoy the stroll, Tutis.

SAFETY INFORMATION AND WARNINGS

IMPORTANT! Failure to follow warnings and instructions may result in serious injury or death. For your child's safety, read this owner's manual before using this product. This product has been created in accordance to EN1888-2:2018+A1:2022 Safety requirements and test methods for pushchairs and prams.

WARNING! IMPORTANT – READ CAREFULLY AND KEEP FOR FUTURE REFERENCE.

WARNING! Never leave child unattended.

WARNING! Ensure that all locking devices are engaged before use.

WARNING! To avoid injury, ensure that the child is kept away when unfolding and folding this product.

WARNING! Do not let the child play with this product.

WARNING! Check that the pram body or seat unit or car seat attachment devices are correctly engaged before use.

WARNING! This product is not suitable for running or skating.

Usage restrictions

1. Maximum load in a carry case is 2 kg.
2. Maximum load in a diaper bag is 2 kg.
3. Exceeding maximum load creates unstable hazardous conditions.
4. Any load attached to the handlebar, seat or side of the pushchair will affect stability.
5. This product shall be used only for one child at the time.
6. Only replacement parts supplied or recommended by manufacturer or distributor shall be used.

Safety advices

For product in general

1. Parking brake shall be engaged when placing and removing the child.

2. Do not use if any part of the product is broken, torn or missing. Ensure that any damaged or worn parts are repaired immediately. Do not use Tutis MIO/ MIO plus parts or accessories for other products, if manufacturer do not declare compatibility.
3. Take child out of the product before going up or down stairs or on steep or unstable surface. Be careful when climbing or descending a kerb or on other uneven surfaces.
4. Do not use on escalators.
5. Always apply the parking brake when not moving with the product.
6. Do not use the product or any of its components near a open flame or other source of strong heat.
7. Take extra caution when using the product on or near public transport.
8. This product is not resistant to saltwater.
9. It is possible, that rubber tyres may leave permanent marks on floors such as synthetic laminate, or organic surface floors (parquet, linoleum and carpet). If you have any of these floors, be careful using the product indoors.

For carrycot

WARNING! Never use this product on a stands.

IMPORTANT! Keep these instructions for future reference.

WARNING! This product is only suitable for child who cannot sit unaided.

WARNING! Maximum weight of a child in the carrycot is 9 kg. (20 lbs).

WARNING! FALL HAZARD: Movements of a child can cause the carrycot to move. Never place carrycot on bed, sofa or another soft surface. Never place carriers on a countertop, a table or other elevated surface.

WARNING! Only use on a firm, horizontal, level and dry surface.

WARNING! Do not let other children play unattended near the carrycot.

WARNING! Do not use if any part of the carry cot is broken, torn or missing.

1. Tutis MIO/ MIO plus carrycot is compatible with Tutis MIO/ MIO plus chassis only.
2. The head of the child in the carrycot should never be lower than the a body of the child.
3. The handle and the bottom of the carry cot should be inspected regularly for signs of damage and wear.
4. Before carrying or lifting, make sure, that the handle is in the correct position of use.
5. Before carrying or lifting, make sure, that reclined base is adjusted in the lowest position.
6. Do not add another mattress on top of the mattress provided or recommended by manufacturer.
7. Never use this carrycot to transport a child in a motor vehicle.

For seat unit

WARNING! This seat unit is not suitable for children under 6 months.

WARNING! Always use restraint system.

1. Seat unit is suitable for children from 6 months to 4 years or up to 22kg whichever comes first.
2. Tutis MIO/ MIO plus seat unit is compatible with Tutis MIO/ MIO plus chassis only.
3. Never let your child stand up in a seat unit. Be careful, children may stand even when harness is used properly.
4. Seat unit cannot be used without chassis.

For rain cover

1. Ensure that the rain cover does not come into contact with a child's face during use.
2. Check your child frequently when using the rain cover.
3. Do not use rain cover for prolonged period of time.
4. Do not use rain cover outside when it is not raining.
5. Do not leave your child under the rain cover in sunny weather due to risk of overheating.
6. Do not use rain cover indoors.

If any of these instructions are insufficiently clear, please contact your sales representative for detailed explanation.

MAINTENANCE AND CARE**Seat unit and carrycot**

WARNING! Never leave carrycot or seat unit in direct sunlight for an extended period of time. Prolonged exposure to sunlight may result in discoloration of the textile.

- Always use rain cover under rain or snow.
- To prevent condensation or mould, do not store product in a humid room or in any room exposed to fluctuations in temperature.

Fabrics care

- Inner padding of the carrycot and mattress cover can be handwashed in 30°C temperature water. Use mild detergent. Rinse thoroughly. Dry naturally.
- All other fabrics can be cleaned only using damp cloth, warm water and mild soap. Do not wash in a washing machine.
- Use clothes steamer for wrinkle removal.

Chassis

- If chassis gets wet, wipe it with a dry cloth and leave to dry naturally, away from a naked flame or other sources of heat. Make sure the stroller is completely dry before storing.
- After using the stroller near sea or on gritted road, wash the chassis with clean running tap water and dry it to prevent rust.
- Apply silicon grease or any other industrial grease on moving mechanisms every 3 months or after washing and cleaning.
- Check regularly for loose rivets, bolt and nuts.

· Allowed deviation from straight trajectory on even surface is 10:100 cm

Wheels

IMPORTANT! Lubricate axles of rear wheels and front forks before using for a first time.

- Exposure to water, salt, sand, dirt can cause the axles to corrode. Lubricate axles with grease at least once a month. Clean axles with disposable wipe before lubricating.
- Apply a thin layer of grease to the rubber at the top of the front fork if you notice that pushchair has lost manoeuvrability.
- The permissible new product lateral runout of rim is +/- 1mm.
- The stroller can be supplied with inflatable wheels. For these wheels, the maximum pressure is 0.8 bar (115 PSI). A soft tyre provides better cushioning over rough terrain. Pressure higher than 0.8 bar (115 PSI) can deform the rim or cause the tube to explode.

Parking brake

WARNING! Never use force to apply or release the brake.

- The parking brake mechanism consists of moving parts and requires regular maintenance.
- Sand, dust or dirt can interfere with the brake mechanism. If you noticed that mechanism is not working or it is working harder than usual, wash with lubricant spray or jet of water and a brush and lubricate working surfaces of the brake pedal.

Storage and transportation

- Do not overload the product or crush the product with a lid of a car boot, as prolonged loading can permanently deform parts of the product, in particular wheels and sunshades of the carrycot or seat unit.
- Remove rear and front wheels from the chassis before storing it for an extended period of time.

LIMITED WARRANTY

1. This product is covered by a limited warranty, against defects in manufacturing or material, based on normal use and if instructions of this user manual have been followed.
2. The limited warranty period starts from the purchase date indicated on the sales receipt. Save the sales receipt in a safe place and make a copy of it.
3. Limited warranty provides a right to repair unless manufacturer is of the opinion that replacement or return of the product is necessary.
4. Manufacturer reserves the right to stop manufacturing a particular model, colour, fabric or accessory, and therefore it will replace a part with a similar product, colour or fabric during the warranty period.
5. Limited warranty is valid only in the original country of purchase.
6. This warranty does not exclude, limit or otherwise affect any statutory consumer rights.
7. To claim under limited warranty, you must provide retailer with the following:
 - a copy of the dated receipt of purchase;
 - a clear description of the complaint;
 - the defective product and/or photographs of the defective part or product.
8. Tutis representative reserves the right to determine if the limited warranty terms and conditions have been met.
9. Please clean the product before delivering to after sales service.

The following is not covered under this limited warranty

1. Damage due to normal wear and tear from everyday use, negligence or accident.
2. Damage is caused by misuse or poor maintenance. Please refer to this manual for guidance on correct use and maintenance.
3. Damage is from corrosion, mold or rust caused by lack of maintenance or service.
4. Damage is the result of airline handling or shipping.
5. Damage to tires.
6. Damage is caused by intense sun exposure, sweat, detergents, damp storage or washing.
7. Issues caused by minor variations in materials (e.g. discoloration between parts).
8. Damage is caused by repair or modifications by third-party.
9. Consequential damage, for example damage inflicted on any persons and/or any other objects.
10. Incorrect mounting or installation of third-party parts that are incompatible with the product.
11. Inadvertent or unintentional damage, abnormal use or insufficient care.
12. Improper storage or product care.
13. Customer dissatisfaction with the product in terms of fit, weight, functionality, colour or design.

For more information

www.tutis.lt

Phone: +370 372 67259; +370 656 05846

E-mail: support@tutis.lt

Ahoj hledači dobrodružství,

připravte se na zázračnou cestu rodičovství! Jsme potěšení, že vás na této cestě bude doprovázet kočárek Tutis.

Pečlivě si přečtěte pokyny a dozvíte se o všech technických vlastnostech kočárku Tutis. To vám pomůže zajistit bezpečí a pohodlí vašeho dítěte.

Užijte si procházku s Tutis.

BEZPEČNOSTNÍ INFORMACE A UPOZORNĚNÍ

DŮLEŽITÉ! Nedodržení bezpečnostních pokynů může mít za následek vážné zranění nebo smrt. V zájmu bezpečnosti vašeho dítěte si před použitím výrobku přečtěte tuto uživatelskou příručku. Výrobek je vyroben v souladu s evropskou normou EN1888-2:2018+A1:2022 „Bezpečnostní požadavky a zkušební metody pro kočárky“.

UPOZORNĚNÍ! POKYNY SI POZORNĚ PŘEČTĚTE A USCHOVEJTE PRO POZDĚJŠÍ POUŽITÍ

UPOZORNĚNÍ! Nikdy nenechávejte dítě bez dozoru

UPOZORNĚNÍ! Před použitím si ověřte, že jsou všechny zajišťovací prvky zaklesnuty

UPOZORNĚNÍ! Při skládání a rozkládání tohoto výrobku zajistěte, aby dítě nebylo v kočárku ani poblíž a nemohlo dojít k poranění dítěte

UPOZORNĚNÍ! Tento výrobek není hračka. Nedovolte dítěti, aby si s tímto výrobkem hrálo

UPOZORNĚNÍ! Před použitím zkontrolujte, zda jsou připevňovací zařízení korbičky nebo sedačky nebo autosedačky správně zaklesnuta

UPOZORNĚNÍ! Tento výrobek není vhodný pro běhání nebo jízdu na bruslích

Omezení použití

1. Maximální zatížení košíku pod sedačkou je 2 kg.
2. Maximální zatížení tašky je 2 kg.
3. Překročení maximálního zatížení kočárku může způsobit jeho poškození nebo ovlivnit jeho bezpečnost.
4. Jakákoli dodatečná zátěž připevněná k rukojeti, sedačce nebo na stranách kočárku může

ovlivnit stabilitu kočárku.

5. Tento kočárek je určený pro vožení jednoho dítěte.

Používejte pouze originální náhradní díly a příslušenství, která jsou schválena společností Tutis.

Bezpečnostní pokyny

Obecné

1. Před naložením a vyložením dítěte z kočárku zkontrolujte, zda je parkovací brzda zatažená.
2. Nepoužívejte výrobek, pokud některá jeho část je poškozená, roztržená nebo chybí. Poškozená nebo opotřebovaná část musí být okamžitě opravena. Nepoužívejte součásti ani příslušenství Tutis MIO/MIO plus pro jiné kočárky, včetně jiných výrobků Tutis, pokud výrobce neurčí kompatibilitu.
3. Pokud stoupáte nebo sestupujete po schodech, jezdíte na strmém nebo nestabilním povrchu, vyndejte dítě z kočárku. Buďte opatrní při vstupu nebo výstupu z obrubníku.
4. Nepoužívejte kočárek na eskalátorech.
5. Při odstavení kočárku vždy zatáhněte parkovací brzdu.
6. Nepoužívejte výrobek ani jeho části v blízkosti otevřeného ohně nebo jiných zdrojů tepla.
7. Buďte obzvláště opatrní při používání kočárku ve veřejné dopravě nebo v její blízkosti.
8. Tento výrobek není odolný vůči slané vodě.
9. Je možné, že na syntetickém laminátu nebo na podlahové krytině na organické bázi (parkety, linoleum nebo koberec) mohou pneumatiky kol zanechávat dlouhodobé stopy. Pokud máte doma tento typ podlahy, buďte při používání kočárku opatrní.

Korbička

UPOZORNĚNÍ! Nikdy nepoužívejte tento výrobek na stojanech.

DŮLEŽITÉ! Uschovejte tyto pokyny pro budoucí použití.

UPOZORNĚNÍ! Tento výrobek je vhodný jen pro dítě, které si neumí samo sednout.

UPOZORNĚNÍ! Maximální hmotnost dítěte v přenosném lůžku je 9 kg. (20 liber).

UPOZORNĚNÍ! NEBEZPEČÍ PÁDU. Aktivita dítěte může přenosné lůžko posunout. Nikdy neumistujte přenosné lůžko s dítětem na postele, pohovky nebo jiné měkké povrchy. Nikdy neumistujte přenosné lůžko s dítětem do blízkosti stolů, desek nebo jiných zvýšených povrchů

UPOZORNĚNÍ! Používejte pouze na pevném, vodorovném a suchém povrchu.

UPOZORNĚNÍ! Nenechávejte ostatní děti, aby si hrály v blízkosti přenosného lůžka.

UPOZORNĚNÍ! Nepoužívejte, jestliže je některá z částí přenosného lůžka zlomená, netržená nebo chybí.

1. Přenosné lůžko Tutis MIO/MIO plus je kompatibilní pouze s podvozkem Tutis MIO/MIO plus.
2. Hlava dítěte by v přenosném lůžku nikdy neměla být níže než jeho tělo.
3. Rukojeť a dno přenosného lůžka by měly být pravidelně kontrolovány, zda nevykazují známky poškození a opotřebení.
4. Před přenášením nebo zvedáním se ujistěte, že je rukojeť ve správné poloze.
5. Před přenášením nebo zvedáním se ujistěte, zda je přenosné lůžko nastaveno v nejnižší poloze.
6. Na matraci dodanou nebo doporučenou výrobcem nepřidávejte žádnou další matraci.
7. Toto přenosné lůžko nikdy nepoužívejte jako prostředek k přepravě dítěte v motorovém vozidle.

Sedačka

UPOZORNĚNÍ! Sedačka je vhodná pro děti od 6 měsíců do 4 let nebo do 22 kg (33lbs), podle toho, co nastane dříve.

UPOZORNĚNÍ! NEBEZPEČÍ PÁDU. Vyvarujte se vážným poraněním způsobeným pádem nebo vyklouznutím ze sedačky. Vždy používejte zádržný systém.

1. Sedačka je vhodná pro děti od 6 měsíců do 4 let nebo do 22 kg, podle toho, co nastane dříve.
2. Sedačka Tutis MIO/MIO plus je kompatibilní pouze s podvozkem Tutis MIO/MIO plus.
3. Nikdy nedovolte dítěti stát na sedačce. Nedovolte, aby dítě stálo na sedačce. Buďte opatrní, dítě se může postavit, i když je připoutáno bezpečnostními pásy. I když jsou zádržné popruhy upevněné.
4. Sedačka není určená k použití bez podvozku.

Pláštěnka před deštěm

1. Ujistěte se, že se pláštěnka nedotýká obličeje dítěte.
2. Při používání pláštěnky často své dítě kontrolujte.
3. Nepoužívejte pláštěnku delší dobu.
4. Nepoužívejte pláštěnku venku, když neprší.
5. Nenechávejte dítě v kočárku s nasazenou pláštěnkou za slunečného počasí kvůli riziku přehřátí.
6. Nepoužívejte pláštěnku uvnitř.

Máte-li jakékoli dotazy ohledně našich upozornění nebo pokynů, obraťte se prosím na zástupce společnosti Tutis s žádostí o podrobné vysvětlení.

ÚDRŽBA VÝROBKU

Sedačka a korbička

UPOZORNĚNÍ! Nikdy nenechávejte kočárek na přímém slunci po delší dobu. Dlouhodobé vystavení slunečnímu záření může způsobit změnu barvy potahové látky.

Pokud prší nebo sněží, vždy použijte příslušný kryt.

Abyste zabránili kondenzaci nebo tvorbě plísní, neskladujte kočárek ve vlhké místnosti

nebo v místnosti, která je vystavená velkým teplotním výkyvům.

Péče o textilie:

- Vnitřní polstrování a potah matrace lze prát ručně při teplotě do 30 ° C. Před práním sundejte potah z matrace. Použijte jemný prací prostředek. Důkladně opláchněte. Nechejte přirozeně uschnout.
- K čištění ostatních textilií používejte pouze vlhký hadřík a jemný prací prostředek. Neprat v pračce.
- K žehlení textilií použijte napařovač.

Podvozek:

- Pokud podvozek navlhne, otřete jej suchým hadříkem a důkladně osušte. Nechejte přirozeně uschnout, udržujte mimo dosah otevřeného ohně a jiných zdrojů tepla. Před uložením kočárku se ujistěte, že je zcela suchý.
- Po použití kočárku u moře nebo na slané silnici umyjte podvozek čistou vodou z kohoutku a osušte jej, aby se zabránilo korozi.
- Pohyblivé části promazávejte silikonovým nebo jiným průmyslovým mazivem každé 3 měsíce nebo po mytí a čištění.
- Pravidelně kontrolujte, zda nejsou uvolněné nýty, šrouby nebo matice.
- Povolená odchylka od přímého směru na rovném povrchu je 10:100 cm

Kola:

DŮLEŽITÉ! Před prvním použitím kočárku promažte zadní nápravy a nápravy předních vidlic.

- Vystavení vodě, soli, písku, nečistotám nebo prachu může způsobit korozi náprav. Nápravy by měly být mazány mazivem nejméně jednou za měsíc. Před mazáním otřete nápravy jednorázovým hadříkem.
- Pokud si všimnete, že se zhoršila ovladatelnost kočárku, naneste tenkou vrstvu maziva na gumovou součástku, nacházející se na horní části přední vidlice.
- Přípustné boční házení kola nového kočárku + -1 mm.

Kočárek může být dodáván s nafukovacími koly. U těchto kol je maximální tlak 0,8 bar (115 PSI). Měkká pneumatika poskytuje lepší odpružení při jízdě po nerovném terénu. Tlak vyšší než 0,8 bar (115 PSI) může deformovat ráfek nebo způsobit roztržení duše.

Parkovací brzda

UPOZORNĚNÍ! Nikdy nepoužívejte sílu k sešlápnutí nebo uvolnění brzdy.

Systém parkovací brzdy se skládá z pohyblivých částí a vyžaduje pravidelnou údržbu.

- Písek, prach nebo nečistoty mohou rušit činnost brzdového systému. Pokud jste si všimli, že systém nefunguje nebo pracuje tvrději než obvykle, nastříkejte sprejem nebo omyjte proudem vody a kartáčem a namažte pracovní povrch brzdového pedálu.

Skladování a přeprava

- Nepřetěžujte výrobek ani na trvale zdeformovat netlačte víkem zavazadlového prostoru, protože dlouhodobé zatížení může trvale zdeformovat určité části výrobku, zejména kola a sluneční clony korbíčky nebo sedačky.
- Při dlouhodobém skladování doporučujeme sejmut zadní a přední kola z podvozku.

ZÁRUČNÍ PODMÍNKY

1. Na tento výrobek se vztahuje záruka proti vadám zpracování nebo materiálu, pokud je používán v souladu s určením a v souladu s pokyny v této uživatelské příručce.
2. Záruční doba začíná běžet dnem nákupu uvedeným na dokladu o koupi. Uschovejte doklad o koupi na bezpečném místě a pořiďte si jeho kopie.
3. Záruka Vám poskytuje právo na opravu, pokud se výrobce nerozhodl o výměně výrobku nebo vrácení.
4. Výrobce si vyhrazuje právo ukončit výrobu konkrétního modelu, barvy, látky nebo příslušenství, což znamená, že během záruční doby bude vadný díl nahrazen dílem obdobné barvy nebo obdobným dílem.
5. Záruka platí pouze v zemi, kde byl výrobek prodán.
6. Záruka nevyklučuje, neomezuje ani jinak neporušuje zákonná práva spotřebitele.
7. Abyste mohli využít této záruky, prodejci budete muset poskytnout:
kopii datovaného dokladu o koupi;
jasný popis předmětu stížnosti;
vadný výrobek a / nebo fotografie vadného výrobku nebo vadného dílu.
8. Zástupce společnosti Tutis si vyhrazuje právo určit, zda byly dodrženy záruční podmínky.
9. Před doručením do poprodejšího servisu výrobek očistěte.

ZÁRUKA SE NEVZTAHUJE NA:

1. Škody způsobené při nehodě nebo nedbalosti.
2. Škody způsobené nesprávným používáním nebo špatnou údržbou kočárku. V této příručce najdete pokyny nutné ke správnému používání a údržbě.
3. Škody způsobené korozí, plísní nebo rží z důvodu nedostatečné údržby nebo servisu.
4. Škody způsobené při letecké přepravě nebo při přepravě jinými prostředky.
5. Poškození pneumatik.
6. Škody způsobené vystavením intenzivnímu slunečnímu záření, potem, čisticími prostředky, skladováním ve vlhkém prostředí, poškozením při praní.
7. Problémy způsobené drobnými změnami materiálů (např. změna barvy součástí kočárku).
8. Škody způsobené neoprávněnými opravami.
9. Škody způsobené jiným osobám nebo jiným předmětům.
10. Škody způsobené nesprávnou instalací neoriginálních dílů, které nejsou kompatibilní s výrobkem.
11. Škody způsobené neúmyslným poškozením, nesprávným použitím nebo nedostatečnou údržbou.
12. Škody způsobené nesprávným skladováním nebo údržbou výrobku.
13. Nespokojenost zákazníka s vhodností, hmotností, funkcí, barvou nebo designem výrobku.

Více informací

www.tutis.lt

Telefony: +370 372 67259, +370 656 05846

E-mail: support@tutis.lt

Hallo Abenteurer,

machen Sie sich bereit für die wunderbare Reise der Elternschaft! Wir freuen uns, dass der Kinderwagen von Tutis Sie auf dieser Reise begleiten wird.

DE

Bitte lesen Sie die Anleitung sorgfältig und informieren Sie sich über alle technischen Merkmale Ihres Kinderwagens von Tutis. Dies trägt dazu bei, die Sicherheit und den Komfort Ihres Babys zu gewährleisten.

Genießen Sie den Spaziergang mit Tutis.

SICHERHEITSHINWEISE UND WARNUNGEN

WICHTIG! Die Nichtbeachtung der Sicherheitshinweise kann zu schweren Verletzungen oder zum Tod führen. Lesen Sie zur Sicherheit Ihres Kindes diese Bedienungsanleitung, bevor Sie das Produkt verwenden. Dieses Produkt wurde gemäß EN1888-2:2018+A1:2022 „Sicherheitsanforderungen und Prüfverfahren für Kinderwagen“ entwickelt.

WARNUNG! Wichtig – bitte sorgfältig lesen und für späteres Nachlesen unbedingt aufbewahren.

WARNUNG! Lassen Sie das Kind nie unbeaufsichtigt.

WARNUNG! Vergewissern Sie sich vor Gebrauch, dass alle Verriegelungen eingerastet sind.

WARNUNG! Vergewissern Sie sich, dass das Kind beim Aufklappen und Zusammenklappen des Wagens außer Reichweite ist, um Verletzungen zu vermeiden.

WARNUNG! Lassen Sie das Kind nicht mit dem Produkt spielen.

WARNUNG! Vergewissern Sie sich vor der Verwendung, dass der Kinderwagenaufsatz oder die Sitzeinheit oder die Befestigungselemente des Autositzes korrekt eingerastet sind.

WARNUNG! Dieses Produkt ist nicht zum Joggen oder Skaten geeignet.

Einschränkungen des zugangs

1. Die maximal zulässige Belastung des Aufbewahrungskorbs unter dem Sitz ist 2 kg.
2. Die maximal zulässige Belastung des Aufbewahrungskorbs auf dem Griff ist 2 kg
3. Bei Überschreitung der maximal zulässigen Belastung kann der Kinderwagen brechen oder es können gefährliche Zustände eintreten.
4. Jede zusätzliche Belastung von Griff, Sitz oder Seite des Kinderwagens wirkt sich

- negativ auf die Stabilität des Kinderwagens aus.
5. Dieses Produkt ist nur für ein Kind vorgesehen.
 6. Verwenden Sie für dieses Produkt nur originale Ersatzteile und Zubehör von Tutis.

Sicherheitsempfehlungen

Für das Produkt allgemein

1. Vergewissern Sie sich vor dem Hineinlegen oder Herausnehmen des Kindes, dass die Feststellbremse angezogen ist.
2. Verwenden Sie das Produkt nicht, wenn ein Teil des Produkts beschädigt, zerrissen ist oder fehlt. Stellen Sie sicher, dass ein defektes oder verschlissenes Teil sofort repariert/ersetzt wird. Verwenden Sie keine Tutis MIO/MIO plus-Teile oder -Zubehör für andere Kinderwagen, einschließlich anderer Tutis-Produkte, es sei denn, der Hersteller bescheinigt die Kompatibilität.
3. Nehmen Sie das Kind beim Hinaus- oder Hinabsteigen, beim Fahren auf steilem oder instabilem Untergrund aus dem Kinderwagen. Seien Sie vorsichtig, wenn Sie Bordsteine hinauf- oder hinunterfahren.
4. Fahren Sie mit dem Kinderwagen nicht auf Rolltreppen.
5. Ziehen Sie die Feststellbremse an, wenn Sie nicht fahren.
6. Verwenden Sie das Produkt oder seine Teile nicht in der Nähe von offenem Feuer oder anderen Wärmequellen.
7. Seien Sie besonders vorsichtig, wenn Sie den Kinderwagen in oder in der Nähe von öffentlichen Verkehrsmitteln benutzen.
8. Dieses Produkt ist nicht salzwasserbeständig.
9. Es besteht die Möglichkeit, dass die Reifen auf synthetischem Laminat oder einem Bodenbelag auf organischer Basis (Parkett, Linoleum oder Teppich) dauerhafte Spuren hinterlassen. Wenn Sie zu Hause diese Art von Boden haben, seien Sie vorsichtig, wenn Sie den Kinderwagen im Innenraum verwenden.

Für die Tragetasche

WARNUNG! Dieses Produkt nie auf einem Ständer benutzen.

WICHTIG! Diese Anleitung für spätere Rückfragen aufbewahren.

WARNUNG! Dieses Produkt ist nur für ein Kind geeignet, das sich noch nicht selbst aufsetzen kann.

WARNUNG! Das maximal zulässige Gewicht eines Babys in der Tragetasche beträgt 9 kg. (20lbs).

WARNUNG! STURZGEFAHR. Die Bewegungen des Kindes können die Tragetasche bewegen. Stellen Sie die Tragetasche mit dem Kind niemals auf einem Bett, Sofa oder einer anderen weichen Oberfläche ab. Stellen Sie die Tragetasche mit dem Kind nicht auf einem Tisch, einer Arbeitsplatte oder eine anderen hohen Oberfläche ab. Nur auf trockenem, waagerechtem und stabilem Untergrund verwenden.

WARNUNG! Nur auf einem festen waagerechten, trockenen

Untergrund verwenden.

WARNUNG! Lassen Sie andere Kinder nicht unbeaufsichtigt in der Nähe der Tragetasche spielen.

WARNUNG! Verwenden Sie die Tragetasche nicht, wenn Teile gebrochen oder eingerissen sind oder fehlen.

1. Die Tutis MIO/MIO plus-Tragetasche ist nur für die Verwendung mit dem Tutis MIO/MIO plus Fahrgestell geeignet.
2. Der Kopf des Kindes darf in der Tragetasche nicht niedriger als sein Körper liegen.
3. Der Griff und der Boden der Tragetasche sollten regelmäßig auf Anzeichen von Schäden und Verschleißerscheinungen überprüft werden.
4. Stellen Sie vor dem Anheben der Tragetasche sicher, dass sich der Griff in der korrekten Position befindet.
5. Stellen Sie vor dem Tragen oder Anheben der Tragetasche sicher, dass die Basis mit verstellbarer Lehne auf die niedrigste Position eingestellt ist.
6. Verwenden Sie auf der vom Hersteller bereitgestellten oder empfohlenen Matratze keine zweite Matratze.
7. Verwenden Sie die Tragetasche niemals für den Transport eines Kindes im Auto.

Für die Sitzeinheit

WARNUNG! Die Sitzeinheit ist für Kinder von 6 Monaten bis 4 Jahren oder bis 22 kg (33lbs) geeignet, je nachdem, was zuerst eintritt.

WARNUNG! STURZGEFAHR. Vermeiden Sie schwere Verletzungen durch Stürzen des Kindes aus der Sitzeinheit. Verwenden Sie immer das Rückhaltesystem.

1. Die Sitzeinheit ist für Kinder von 6 Monaten bis 4 Jahren oder bis 22 kg geeignet, je nachdem, was zuerst eintritt.
2. Die Tutis MIO/MIO plus-Sitzeinheit ist nur für die Verwendung mit einem Tutis MIO/MIO plus-Fahrgestell geeignet.
3. Lassen Sie das Kind nicht im Sitz aufstehen. Seien Sie wachsam. Das Kind kann aufstehen, auch wenn es angeschnallt ist.
4. Der Sitz ist nicht für die Verwendung ohne Fahrgestell vorgesehen.

Für den Regenschutz

1. Stellen Sie sicher, dass der Regenschutz während des Gebrauchs nicht das Gesicht berührt.
2. Überprüfen Sie Ihr Kind häufig, wenn Sie den Regenschutz verwenden.
3. Verwenden Sie den Regenschutz nicht über längere Zeit.
4. Verwenden Sie keinen Regenschutz im Freien, wenn es nicht regnet.
5. Lassen Sie das Kind bei sonnigem Wetter wegen der Überhitzungsgefahr nicht unter dem Regenschutz.
6. Verwenden Sie den Regenschutz nicht im Innenbereich.

Wenn eine Warnung oder ein Hinweis unklar ist, wenden Sie sich an Ihren Tutis-Vertreter, um eine detailliertere Erklärung zu erhalten.

PRODUKTPFLEGE

Sitzeinheit und tragetasche

WARNUNG! Lassen Sie den Kinderwagen niemals für längere Zeit in direktem Sonnenlicht. Längere Sonneneinstrahlung kann zu Verfärbungen des Kinderwagenstoffs führen.

- Wenn es regnet oder schneit, verwenden Sie immer einen Regenschutz.
- Lagern Sie den Wagen nicht in einem feuchten Raum oder in einem Raum mit Temperaturschwankungen, um Kondensation und Schimmelbildung zu vermeiden.

Pflege der stoffe:

- Das Innenfutter der Tragetasche und der Matratzenbezug können von Hand in Wasser bei nicht mehr als 30 °C gewaschen werden. Entfernen Sie vor dem Waschen den Matratzenbezug. Verwenden Sie ein mildes Waschmittel. Gründlich ausspülen. Auf natürliche Weise trocknen.
- Alle anderen Stoffe nur mit einem feuchten Tuch und einem milden Reinigungsmittel reinigen. Nicht in der Maschine waschen.
- Verwenden Sie zum Bügeln der Stoffe einen Kleiderdampfer.

Fahrgestell:

- Wenn das Fahrgestell nass wird, wischen Sie es nach Gebrauch mit einem trockenen Tuch ab und lassen Sie es trocknen. Auf natürliche Weise trocknen, von offenen Flammen oder Wärmequellen fernhalten. Stellen Sie sicher, dass der Wagen vollständig trocken ist, bevor Sie ihn verstauen.
- Bei Verwendung am Meer oder auf einem salzigen Weg, waschen Sie das Fahrwerk mit einem Strahl sauberen (Leitungs-)Wassers und trocknen Sie es, um Rost zu vermeiden.
- Schmieren Sie die beweglichen Teile alle 3 Monate mit Silikon oder einem anderen dicken Schmierstoff ein, oder jeweils nach dem Waschen oder Reinigen.
- Nieten, Schrauben oder Muttern regelmäßig auf festen Sitz prüfen.
- Die zulässige Abweichung eines neuen Kinderwagens von der geraden Fahrbahn bei Fahrt auf ebenem Untergrund beträgt 10:100 cm

Räder:

- **WICHTIG!** Schmieren Sie die Hinterräder und Vordergabelachsen, bevor Sie den Kinderwagen zum ersten Mal verwenden.
- Die Einwirkung von Wasser, Salz, Sand, Schmutz oder Staub kann zur Korrosion der Achsen führen. Schmieren Sie die Achsen mindestens einmal im Monat. Wischen Sie die Achsen vor dem Schmieren mit einem Einwegtuch sauber.
- Wenn Sie bemerken, dass der Kinderwagen an Manövrierfähigkeit verloren hat, tragen Sie eine dünne Schicht Fett auf das Gummiteil oben auf der Vorderradgabel auf.
- Der zulässige Seitenschlag eines neuen Rades beträgt +/-1mm.
- Der Kinderwagen kann mit Lufträdern ausgestattet werden. Der maximale Druck beträgt dann 0,8 bar (115 PSI). Ein weicher Reifen absorbiert besser Unebenheiten des Untergrunds. Ein Druck über 0,8 bar (115 PSI) kann die Felge verformen oder die Luftkammer sprengen.

Feststellbremse

- **WARNUNG!** Wenden Sie niemals Gewalt an, um die Bremsen zu betätigen oder zu lösen!
- Die Feststellbremse und die Stoßdämpfer bestehen aus beweglichen Teilen. Sie benötigen regelmäßige Wartung.
- Sand, Staub oder Schmutz können die Funktion des Brems- und Stoßdämpfersystems beeinträchtigen. Wenn Sie feststellen, dass das System nicht oder schwerer als gewöhnlich funktioniert, spülen Sie es mit Schmierspray ein oder waschen Sie es mit Wasserstrahl und Bürste und schmieren Sie die Arbeitsflächen des Bremspedals.

Lagerung und transport:

- Überladen Sie das Produkt nicht mit zusätzlichem Gewicht und quetschen Sie das Produkt nicht mit dem Kofferraumdeckel, da längeres Belastung Teile des Produkts, insbesondere die Räder und das Dach der Tragetasche und des Sitzes, dauerhaft verformen kann.
- Für eine längere Einlagerung empfehlen wir, die Hinter- und Vorderräder vom Fahrgestell zu entfernen.

Garantiebedingungen

1. Für dieses Produkt wird eine Garantie gegen Herstellungs- oder Materialfehler übernommen, wenn es bestimmungsgemäß und in Übereinstimmung mit den Anweisungen in dieser Bedienungsanleitung verwendet wird.
2. Die Laufzeit der Garantie beginnt mit dem auf dem Kaufbeleg angegebenen Kaufdatum. Bewahren Sie den Kaufbeleg an einem sicheren Ort auf, machen Sie eine Kopie davon.
3. Die Garantie berechtigt zur Reparatur, es sei denn, der Hersteller ist der Ansicht, dass das Produkt ersetzt oder zurückgegeben werden muss.
4. Der Hersteller behält sich das Recht vor, die Produktion eines bestimmten Modells, einer Farbe, eines Stoffes oder Zubehörs einzustellen, was bedeutet, dass das defekte Teil während der Garantiezeit durch ein ähnliches Teil oder ein Teil ähnlicher Farbe ersetzt wird.
5. Die Garantie gilt nur in dem Land, in dem das Produkt verkauft wurde.
6. Die Garantie schließt keine gesetzlichen Verbraucherrechte aus, schränkt sie nicht ein und verletzt sie in keiner Weise.
7. Um die Garantie in Anspruch nehmen zu können, müssen Sie beim Verkäufer Folgendes einreichen:
 - eine Kopie des Kaufbelegs mit Datum;
 - einen klar formulierter Anspruch;
 - ein defektes Produkt und/oder Fotos des defekten Produkts oder eines Teils des defekten Produkts.
8. Der Vertreter von Tutis behält sich das Recht vor, festzustellen, ob die Garantiebedingungen eingehalten wurden.
9. Bringen Sie das Produkt sauber zum Kundendienst.

Die garantie gilt nicht:

1. Bei Schäden durch Fahrlässigkeit oder Unfall.
2. Bei Schäden durch unsachgemäße Verwendung oder Wartung des Kinderwagens. In

diesem Handbuch finden Sie Anweisungen zur ordnungsgemäßen Verwendung und Wartung.

3. Bei Schäden durch Korrosion, Schimmel oder Rost aufgrund mangelhafter Wartung oder Service.

4. Bei Schäden durch Lufttransport oder auf anderen Wegen.

5. Bei Reifenschäden.

6. Bei Schäden durch intensive Sonneneinstrahlung, Schweiß, Reinigungsmittel, Lagerung unter feuchten Bedingungen, Waschen.

7. Bei Problemen durch geringfügige Materialveränderungen (z.B. Verfärbungen von Teilen des Wagens).

8. Bei Schäden im Falle von Reparaturen durch nicht autorisierte Personen.

9. Bei Schäden an Personen oder anderem Eigentum.

10. Bei Schäden durch Montage von mit dem Produkt inkompatiblen Fremdteilen Dritter.

11. Bei Schäden durch unbeabsichtigte Beschädigung, unsachgemäße Verwendung oder Wartung des Kinderwagens.

12. Bei Schäden durch unsachgemäße Lagerung oder Wartung des Produkts.

13. Kundenunzufriedenheit mit Produkteignung, Gewicht, Funktionalität, Farbe oder Design.

Weitere Informationen

www.tutis.lt

Telefon: +370 372 67259, +370 656 05846

E-Mail: support@tutis.lt

Tere, seiklejad,

Valmistuge lapsevanema imeliseks teekonnaks! Meil on väga hea meel, et Tutis jalutuskäru saadab teid sellel teekonnal.

Palun lugege juhend hoolikalt läbi ja õppige tundma kõiki Tutis jalutuskäru võimalusi. See aitab tagada teie lapse ohutuse ja mugavuse.

Nautige oma jalutuskäike, Tutis.

OHUTUSTEAVE JA HOIATUSED

TÄHTIS! Hoiatuste ja juhiste eiramine võib põhjustada raskeid vigastusi või surma. Teie lapse ohutuse huvides lugege enne toote kasutamist seda kasutusjuhendit. See toode on kavandatud ja testitud vastavalt jalutuskäru ohutusnõuete standardile EN1888-2:2018+A1:2022.

HOIATUS! Tähtis! Lugege hoolikalt läbi ja hoidke edaspidiseks kasutamiseks alles.

HOIATUS! Ärge kunagi jätke last järelevalveta.

HOIATUS! Veenduge, et kõik lukustusseadmed oleksid enne kasutamist korralikult kinnitatud.

HOIATUS! Vigastuste vältimiseks veenduge, et laps on selle toote kokkupanemise ja lahtivõtmise ajal sellest eemal.

HOIATUS! Ärge lubage lapsel selle tootega mängida.

HOIATUS! Kontrollige enne kasutamist, et lapsevankri iste, turvahäll või turvatool oleksid korralikult kinnitatud.

HOIATUS! See toode ei ole sobiv kasutamiseks jooksmise või uisutamise ajal.

Kasutamispääsõngud

1. Kandekorvi maksimaalne koormus on 2 kg.
2. Mähkmekoti maksimaalne koormus on 2 kg.
3. Maksimaalse koormuse ületamine põhjustab ohtliku ebastabiilsuse.
4. Jalutuskäru käepidemele, istmele või küljele kinnitatud mis tahes koormus mõjutab stabiilsust.
5. Seda toodet tohib korraga kasutada ainult üks laps.
6. Kasutada tohib ainult tootja või edasimüüja tarnitud ning nende soovitatud varuosi.

Ohutusnõuanded

Tootest üldiselt

1. Lapse sissepanemise ja väljavõtmise ajal peab parkimispidur olema rakendatud.
2. Ärge kasutage toodet, kui selle mingi osa on purunenud, rebenenud või puudub. Tagage, et kahjustatud või kulunud osad parandatakse viivitamatult. Ärge kasutage Tutis MIO/MIO plus osi ega tarvikuid teiste toodetega, kui tootja ei ole nende ühilduvust kinnitanud.
3. Enne treppidest üles või alla minemist ning järsul või ebastabiilsel pinnasel võtke laps tootest välja. Olge ettevaatlik, kui astute üle äärekivi üles või alla ning muul ebatasasel pinnasel.
4. Ärge kasutage eskalaatoritel.
5. Rakendage alati parkimispidur, kui te tootega ei liigu.
6. Ärge kasutage toodet ega selle mingit osa lahtise leegi või muu soojusallika lähedal.
7. Olge eriti ettevaatlik, kui kasutate toodet ühistranspordis või selle lähedal.
8. See toode ei ole veekindel merevee suhtes.
9. Võib juhtuda, et kummirattad jätavad põrandakattele püsivaid jälgi, näiteks sünteetilisele laminaatpõrandale või naturaalsele põrandakattele (parkett, linoleum ja vaip). Kui teil on mõni nendest põrandakatetest, olge toodet toas kasutades ettevaatlik.

Turvahäll

HOIATUS! Ära kasuta seda toodet mitte kunagi alusel.

TÄHTIS! Hoiu kasutusjuhendid edaspidiseks kasutamiseks alles.

HOIATUS! See toode on sobiv ainult lapsele, kes ei suuda kõrvalise abita istuma tõusta.

HOIATUS! Lapse maksimaalne kehakaal turvahällis on 9 kg (20 lbs).

HOIATUS! KUKKUMISOHT. Lapse liigutused võivad panna turvahälli liikuma. Ära kunagi aseta turvahälli voodile, diivanile ega muule pehmele aluspinnale. Ära kunagi aseta turvahälli tööpinnale, lauale ega muule kõrgel asuvale aluspinnale.

HOIATUS! Kasuta ainult kindlal, horisontaalsel, ühetasasel ja kuival pinnal.

HOIATUS! Ära luba teistel lastel turvahälli lähedal mängida.

HOIATUS! Ära kasuta, kui ükskõik milline osa on katki, rebenenud või puudub.

1. Tutis MIO/MIO plus turvahäll ühildub ainult Tutis MIO/MIO plus raamiga.
2. Kui laps on turvahällis, ei tohi lapse pea olla kehast madalamal.
3. Turvahälli käepidet ja põhja tuleks korrapäraselt kontrollida kahjustuste ja kulumismärkide suhtes.
4. Enne kandmist või tõstmist veendu, et käepide on õiges kasutamisasendis.
5. Enne kandmist või tõstmist veendu, et kaldus alus on seatud kõige alumisse asendisse.
6. Ära lisa teist madratsit sellele, mille on tootja kaasa andnud või soovitanud.

7. Ära kunagi kasuta seda turvahälli lapse mootorsõidukis vedamiseks.

Istmeosa

HOIATUS! Istmeosa sobib lastele vanuses 6 kuud kuni 4 aastat või kuni 22 kg (33lbs), olenevalt sellest, kumb saabub varem.

HOIATUS! KUKKUMISOHT. Vältige lapse istmest väljakukkumist või -libisemist, mis võib põhjustada tõsiseid vigastusi. Kasutage alati turvasüsteemi.

1. Istmeosa sobib lastele vanuses 6 kuud kuni 4 aastat või kuni 22 kg, olenevalt sellest, kumb saabub varem.
2. Tutis MIO/MIO plus iste ühildub ainult Tutis MIO/MIO plus raamiga.
3. Ärge kunagi lubage lapsel istmel püsti tõusta. Olge ettevaatlik, sest laps võib seista ka juhul, kui turvarakmeid kasutatakse õigesti.
4. Istet ei tohi kasutada ilma raamita.

Vihmakate

1. Veenduge, et vihmakate ei puutuks kasutamise ajal vastu lapse nägu.
2. Vihmakatte kasutamisel kontrollige last sageli.
3. Ärge kasutage vihmakatet pikka aega.
4. Ärge kasutage vihmakatet väljas, kui ei saja.
5. Ülekuumenemisohu tõttu ärge jätke last päikeselise ilmaga vihmakatte alla.
6. Ärge kasutage vihmakatet siseruumides.

Kui mingi nendest juhistest ei ole piisavalt arusaadav, pöörduge üksikasjalike selgituste saamiseks oma müügiesindaja poole.

HOOLDUS

Istmesosa ja turvahäll

HOIATUS! Ärge kunagi jätke turvahälli ega istmeosa pikemaks ajaks otsese päikesevalguse kätte. Pikaajaline kokkupuude päikesevalgusega võib põhjustada tekstiili värvuse muutumist.

- Kasutage vihma või lumesaju ajal alati vihmakatet.
- Kondensaatvee või hallituse vältimiseks ärge hoidke toodet niiskes ega muus muutuva temperatuuriga ruumis.

Kanga hooldus

- Turvahälli ja madratsikatte sisemist polstrit saab pesta käsitsi 30 °C temperatuuriga vees. Kasutage õrnatoimelist pesuvahendit. Loputage hoolikalt. Laske õhu käes kuivada.
- Kõiki teisi kangaid saab puhastada ainult sooja vee ja õrnatoimelise pesuvahendiga niisutatud lapiga pühkides. Mitte pesta pesumasinas.
- Kortsude eemaldamiseks kasutage rõivaurutit.

Raam

- Kui raam saab märjaks, kuivatage seda kuiva lapiga ja laske õhu käes kuivada, eemal lahtistest lekidest või muudest soojusallikatest. Enne hoiule panemist peab jalutuskäru

olema täielikult kuivanud.

- Pärast jalutuskäru kasutamist mere ääres või kruusateel peske raami puhta kraaniveega ja kuivatage, et vältida roostet.
- Kandke liikuvatele osadele iga kolme kuu tagant või pärast pesemist ja kuivatamist silikoonmääret või muud tööstuslikku määret.
- Kontrollige korrapäraselt, et needid, poldid ja mutrid ei oleks lahti tulnud.
- Lubatav kõrvalekalle sirgest trajektooriga tasasel pinnal: 10:100 cm.

Rattad

- **TÄHTIS!** Enne esmakordset kasutamist määrige tagarataste telgi ja esikahvleid.
- Kokkupuude vee, soola, liiva ja mustusega võib põhjustada telgede korrosiooni. Määrige telgi määrdega vähemalt kord kuus. Enne määrimist puhastage teljed ühekordselt kasutatava lapiga.
- Kui märkate, et jalutuskäru on raske manööverdada, kandke esikahvli peal olevale kummile õhuke kiht määrdeainet.
- Uue toote velje suurim lubatav viskumine on +/-1 mm.
- Jalutuskäru saab tarnida õhkrehvidega. Nende rehvide maksimaalne rõhk on 0,8 baari (115 psi). Pehme rehvi pehmendab sõitu ebatasasel pinnasel. Suurem rõhk kui 0,8 baari (115 psi) võib velje deformeerida või põhjustada sisekummi lõhkemise.

Parkimispidur

- **HOIATUS!** Ärge kunagi kasutage jõudu piduri rakendamiseks või vabastamiseks.
- Parkimispiduri mehhanism koosneb liikuvatest osadest ja vajab regulaarset hooldust.
- Liiv, tolm ja mustus võivad põhjustada pidurimehhanismi tõrkeid. Kui märkate, et pidurimehhanism ei toimi või toimib tavalisest raskemini, peske seda pihustatava määrdeaine või veejoa ja harja abil ning kandke piduripedaali tööpindadele määrdeainet.

Hoiustamine ja transport

- Ärge koormake toodet liigselt ega vajutage sellele auto pagasiruumi luugiga, sest kestev koormus võib toote osi püsivalt deformeerida, eriti rattaid ja turvahälli või istmeosa päikesekatteid.
- Enne toote pikaajalist hoiulepanekut eemaldage raamilt taga- ja esirattad.

PIIRATUD GARANTII

1. Tootele kehtib piiratud garantii tootmis- ja materjalidefektide suhtes, mis põhineb tavapärasel kasutamisel ja tingimusel, et on järgitud selle kasutusjuhendi juhiseid.
2. Piiratud garantii aeg algab müügidokumendile märgitud ostukuupäevast. Hoidke ostudokumenti kindlas kohas ja tehke sellest koopia.
3. Piiratud garantii annab õiguse remondile, välja arvatud juhul, kui tootja arvamuse kohaselt on vaja toode asendada või tagastada.
4. Tootja jätab endale õiguse peatada konkreetse mudeli, värvivaliku, kanga või tarviku tootmine ning seetõttu asendab tootja garantiiaja kestel osa sarnase toote, värvuse või kangaga.
5. Piiratud garantii kehtib ainult algses osturiigis.
6. See garantii ei välista, piira ega mõjuta muul viisil mingeid õigusaktidega sätestatud tarbijaõigusi.
7. Piiratud garantii alusel nõude esitamiseks andke jaemüüjale üle:

- kuupäevaga ostudokumendi koopia;

- kaebuse selge kirjeldus;

- defektne toode ja/või defektse osa või toote fotod.

8. Tutis esindaja jätab endale õiguse teha kindlaks, kas piiratud garantii tingimused on täidetud.

9. Puhastage toode enne müügi järgsesse hooldusse toimetamist.

Antud piiratud garantii ei hõlma järgmist:

1. igapäevasest kasutamisest tingitud ootuspärane kulumine, hooletusest või õnnetusjuhtumist tekkinud kahjustused;

2. väärkasutusest või halvast hooldusest tingitud kahjustused. Täpsemat teavet õige kasutamise ja hoolduse kohta leiate käesolevast juhendist;

3. hoolduse puudumisest tingitud korrosioonist, hallitusest või roostest tekkinud kahjustused;

4. lennuettevõtte käsitsemisest või transpordist põhjustatud kahjustused;

5. rehvide kahjustused;

6. intensiivse päikesevalguse, higi, pesuvahendite, niiskes ruumis hoiustamise või pesemise tagajärjel tekkinud kahjustused;

7. materjalide väikestest erinevustest tingitud probleemid (nt osade värvimuutused);

8. kolmanda isiku tehtud parandustöödest või muudatustest tingitud kahjustused;

9. tulenev kahju, näiteks isikutele tekitatud kahju ja/või muudele esemetele tekitatud kahjustused;

10. tootega kokkusobimatute kolmanda osapoole osade vale paigaldamine;

11. tahtmatu kahjustus, ebanormaalne kasutamine või ebapiisav hooldus;

12. toote sobimatu hoiulepanek või hooldus;

13. kliendi rahulolematuus tootega selle sobivuse, kaalu, funktsionaalsuse, värvuse või disaini osas.

Lisateave:

www.tutis.lt

Telefon: +370 372 67259; +370 656 05846

E-post: support@tutis.lt

Hei seikkailijat,

valmistautukaa aloittamaan maaginen vanhemmuuden seikkailu! Olemme iloisia, että Tutis-lastenrattaat ovat mukanne tällä matkalla.

Lue ohjeet huolellisesti ja opi kaikki Tutis-lastenrattaiden tarjoamista mahdollisuuksista. Näin voit varmistaa vauvasi turvallisuuden ja mukavuuden.

Nauti kävelyistä, Tutis.

TURVALLISUUSTIEDOT JA VAROITUKSET

TÄRKEÄÄ! Varoitusten ja ohjeiden noudattamatta jättäminen saattaa johtaa vakavaan loukkaantumiseen tai kuolemaan. Varmista lapsen turvallisuus lukemalla tämä omistajan opas ennen tuotteen käyttöä. Tämä tuote on valmistettu standardin EN1888-2:2018+A1:2022 Safety requirements and test methods for pushchairs and prams (Rattaiden ja vaunujen turvallisuutta koskevat vaatimukset ja testimenetelmät) mukaisesti.

VAROITUS! Tärkeää – Lue huolellisesti ja säilytä vastaisuuden varalle.

VAROITUS! Älä koskaan jätä lasta ilman valvontaa.

VAROITUS! Tarkasta ennen käyttöä, että kaikki lukituslaitteet on lukittu.

VAROITUS! Pidä lapsi poissa tuotteen luota, kun tuote taitetaan kasaan tai laitetaan käyttökuntoon, jotta lapsi ei loukkaannu.

VAROITUS! Älä anna lapsen leikkiä tällä tuotteella.

VAROITUS! Tarkasta ennen käyttöä, että vaunukopan, ratasistuimen tai turvaistuimen kiinnityslaitteet on aktivoitu oikein.

VAROITUS! Tämä tuote ei sovellu työntäväksi juosten tai rullaluistellen.

Käyttöä koskevat rajoitukset

1. Kantolaukun maksimikuorma on 2 kg.
2. Vaippalaukun maksimikuorma on 2 kg.
3. Maksimikuorman ylittyminen luo epävakaita ja vaarallisia olosuhteita.
4. Mikä tahansa työntöaisaan, istuimeen tai rattaiden sivuun kiinnitetty kuorma vaikuttaa vakauteen.
5. Tässä tuotteessa saa olla vain yksi lapsi kerrallaan.
6. Käytä ainoastaan valmistajan tai jakelijan toimittamia tai suosittelemia varaosia.

Turvallisuusohjeet

Tuote

1. Kytke seisontajarru päälle aina asettaessasi lasta tuotteeseen ja poistaessasi lasta tuotteesta.
2. Älä käytä tuotetta, jos mikä tahansa sen osa on rikkoutunut tai repeytynyt tai jos siitä puuttuu osia. Varmista, että vaurioituneet tai kuluneet osat korjataan välittömästi. Älä käytä Tutis MIO/MIO plus -tuotteen osia tai lisävarusteita muissa tuotteissa, ellei valmistaja ole ilmoittanut niiden olevan yhteensopivia.
3. Poista lapsi tuotteesta ennen portaiden nousemista tai laskeutumista tai tuotteen työntämistä tai vetämistä jyrkällä tai epävakaalla alustalla. Ole varovainen ylittäessäsi katukiveyksiä tai muita epätasaisia pintoja.
4. Älä käytä liukuportaissa.
5. Kytke seisontajarru päälle aina, kun tuotetta ei työnnetä tai vedetä.
6. Älä käytä tuotetta tai mitään sen osia avotulen tai muun lämmönlähteen läheisyydessä.
7. Noudata erityistä varovaisuutta käyttäessäsi tuotetta julkisissa kulkuneuvoissa tai niiden läheisyydessä.
8. Tämä tuote ei ole meriveden kestävä.
9. Kumipyörät saattavat jättää pysyviä jälkiä esimerkiksi synteettisellä laminaatilla tai orgaanisilla materiaaleilla (parketti, linoleumi tai kokolattiamatto) päällystettyihin lattioihin. Jos sinulla on tällainen lattia, ole varovainen käyttäessäsi tuotetta sisällä.

Kantokoppa

VAROITUS! Älä koskaan käytä tätä tuotetta liukuportaissa

TÄRKEÄ! Säilytä nämä ohjeet myöhempää tarvetta varten

VAROITUS! Tämä tuote sopii vain lapsille, jotka eivät osaa istua ilman tukea.

VAROITUS! Kantokopassa saa kuljettaa enintään 9 kg (20 lbs) painavia lapsia.

VAROITUS! PUTOAMISVAARA. Lapsen liikkeet voivat aiheuttaa kantokopan liikkumisen. Älä koskaan aseta kantokoppaa sängylle, sohvalle tai muulle pehmeälle alustalle. Älä koskaan aseta koppaa työtasolle, pöydälle tai muulle korkealla olevalle alustalle. Käytä ainoastaan tukevalla, vaakasuoralla, tasaisella ja kuivalla alustalla.

VAROITUS! Käytä vain tukevalla, vaakasuoralla alustalla ja kuivalla pinnalla

VAROITUS! Do not let other children play unattended near the carrycot.

VAROITUS! Älä käytä, jos jokin osa on rikkuntoonut, kulnut/repeytynyt tai puuttuu.

1. Tutis MIO/MIO plus -kantokoppa on yhteensopiva ainoastaan Tutis MIO/MIO plus -rungon kanssa.
2. Kantokopassa olevan lapsen pää ei saa olla vartalon alapuolella.
3. Kantokopan kahva ja pohja on tarkastettava säännöllisesti vaurioiden ja kulumisen merkkien varalta.
4. Varmista ennen kantamista tai nostamista, että käsikahva on oikeassa käyttöasennossa
5. Varmista ennen kantamista tai nostamista, että kallistettu pohja on säädetty alimpaan asentoon.
6. Älä lisää toista patjaa mukana toimitetun tai valmistajan suositteleman patjan päälle.
7. Älä koskaan käytä tätä kantokoppaa lapsen kuljettamiseen moottoriajoneuvossa.

Ratasistuin

VAROITUS! Istuinosa sopii 6 kuukauden - 4 vuoden ikäisille lapsille tai enintään 22 kg (33lbs) painaville lapsille sen mukaan, kumpi tulee ensin.

VAROITUS! PUTOAMISVAARA. Vältä vakava loukkaantuminen varmistamalla, että lapsi ei pääse putoamaan tai luisumaan ulos. Käytä aina turvavaljaita.

1. Istuinosa sopii 6 kuukauden - 4 vuoden ikäisille lapsille tai enintään 22 kg (33lbs) painaville lapsille sen mukaan, kumpi tulee ensin.
2. Tutis MIO/MIO plus -ratasistuin on yhteensopiva ainoastaan Tutis MIO/MIO plus -rungon kanssa.
3. Älä koskaan anna lapsen seistä ratasistuimessa. Ole varovainen, sillä lapset voivat nousta seisomaan myös silloin, jos turvavaljaita käytetään oikein.
4. Ratasistuinta ei voida käyttää ilman runkoa.

Sadesuoja

1. Varmista, että sadesuoja ei pääse koskettamaan käytön aikana lapsen kasvoja.
2. Tarkkaile lasta säännöllisesti sadesuojaa käytettäessä.
3. Älä käytä sadesuojaa pitkiä aikoja kerrallaan.
4. Älä käytä sadesuojaa ulkona muulloin kuin sateella.
5. Älä jätä lasta sadesuojan alle aurinkoisella säällä, sillä lämpötila suojan alla voi nousta liian korkeaksi.
6. Älä käytä sadesuojaa sisällä.

Jos mikä tahansa näiden ohjeiden kohta on epäselvä, pyydä lisätietoa ottamalla yhteyttä myyntiedustajaasi.

HUOLTO JA HOITO

Ratasistuin ja kantokoppa

VAROITUS! Älä koskaan jätä kantokoppaa tai ratasistuinta suoraan auringonvaloon pitkiksi ajoiksi. Pitkäaikainen altistuminen auringonvalolle saattaa aiheuttaa tekstiilien haalistumista.

- Käytä sadesuojaa aina vesi- tai lumisateessa.
- Kosteuden tiivistymisen ja homeen muodostumisen välttämiseksi älä varastoi tuotetta kosteassa tai lämpötilan vaihteluille altistuvassa huoneessa.

Tekstiilien hoito

- Kantokopan sisällä oleva pehmuste ja patjan päällinen voidaan pestä käsin vedellä, jonka lämpötila on 30 °C. Käytä mietoa pesuainetta. Huuhtelee huolellisesti. Anna kuivua luonnollisesti.
- Kaikki muut tekstiilit voidaan puhdistaa ainoastaan nihkeää liinaa, lämmintä vettä ja mietoa saippuaa käyttämällä. Älä pese pesukoneessa.
- Käytä ryppyjen poistamiseen vaatehöyrystintä.

Runko:

- Jos runko kastuu, pyyhi se kuivalla liinalla ja anna sen kuivua luonnollisesti poissa avotulen tai muiden lämmönlähteiden läheisyydestä. Varmista ennen rattaiden varastointia, että ne ovat puhtaat ja täysin kuivat.
- Jos rattaita on käytetty meren läheisyydessä tai suolatulla tai hiekoitetulla tiellä, pese runko puhtaalla juoksevalla vesijohtovedellä ja kuivaa se ruostumisen ehkäisemiseksi.
- Levitä liikkuviin mekanismeihin silikonirasvaa tai mitä tahansa muuta teollisuusrasvaa 3 kuukauden välein tai pesun ja puhdistuksen jälkeen.
- Tarkista runko säännöllisesti löystyneiden osien, kuten niittien, pulttien ja muttereiden varalta.
- Suurin sallittu sivusuuntainen poikkeama tasaisella alustalla on 10:100 cm.

Pyörät:

- **TÄRKEÄÄ!** Voitele takapyörien ja etuhaarukoiden akselit ennen ensimmäistä käyttökertaa.
- Altistuminen vedelle, suolalle, hiekalle tai lialle voi aiheuttaa akseleiden korroosiota. Voitele akselit rasvalla vähintään kerran kuukaudessa. Puhdista akselit kertakäyttöpyyhkeellä voitelun jälkeen.
- Levitä ohut kerros rasvaa etuhaarukan yläpäässä olevaan kumiin, jos havaitset, että ratat ovat menettäneet ohjattavuuttaan.
- Uuden tuotteen vanteen suurin sallittu sivusuuntainen liike on +/- 1 mm.
- Rattaat voidaan toimittaa ilmatäytteisillä pyörillä varustettuina. Näiden pyörien maksimipaine on 0,8 baaria (115 PSI). Pehmeä rengas vaimentaa paremmin epätasaisessa maastossa. Yli 0,8 baarin (115 PSI) paine voi aiheuttaa vanteen vääntymisen tai sisäkumin räjähämisen.

Seisontajarru

- **VAROITUS!** Älä koskaan käytä voimaa jarrun kytkemiseen tai vapauttamiseen.
- Seisontajarrumeکانismi sisältää liikkuvia osia, ja se vaatii säännöllistä huoltoa.
- Hiekka, pöly tai lika voi häiritä jarrumeکانismin toimintaa. Jos havaitset, että jarrumeکانismi ei toimi lainkaan tai että se ei toimi normaalisti, pese se voiteluspraylla tai vesisuihkulla ja harjalla ja voitele jarrupolkimen kosketuspinnat.

Varastointi ja kuljetus

- Varmista, että tuotetta ei ylikuormiteta eikä se joudu puristuksiin auton tavaratilan luukun alle, sillä pitkäaikainen kuormitus voi aiheuttaa tuotteen osien pysyvän vääntymisen; tämä koskee erityisesti renkaita sekä kantokopan tai ratasistuimen kuomuja.
- Irrota taka- ja etupyörät rungosta ennen tuotteen varastoimista pidemmäksi ajaksi.

RAJOITETTU TAKUU

1. Tälle tuotteelle myönnetään rajoitettu takuu, joka kattaa valmistus- ja materiaalivirheet normaalissa käytössä sillä edellytyksellä, että tässä käyttöoppaassa annettuja ohjeita on noudatettu.
2. Rajoitetun takuun voimassaoloaika alkaa myyntikuittiin merkitystä ostopäivästä. Säilytä myyntikuitti turvallisessa paikassa ja ota siitä kopio.
3. Rajoitettu takuu oikeuttaa korjaukseen, ellei valmistaja katso, että tuotteen korvaaminen tai palauttaminen on välttämätöntä.
4. Valmistaja pidättää oikeuden keskeyttää minkä tahansa mallin, väri vaihtoehdon, kankaan tai lisävarusteen valmistus, ja se sitoutuu siksi korvaamaan takuun voimassaoloaikana vioittuvan osan vastaavalla tuotteella, väri vaihtoehdolla tai kankaalla.
5. Rajoitettu takuu on voimassa ainoastaan alkuperäisessä ostomaassa.
6. Tämä takuu ei poissulje tai rajoita lakisääteisiä kuluttajan oikeuksia, eikä se myöskään vaikuta niihin millään muulla tavoin.
7. Rajoitettuun takuuseen perustuvan vaatimuksen esittäminen edellyttää, että sinun on toimitettava jälleenmyyjälle:
 - kopio päivätyistä ostokuitista
 - valituksen selkeä kuvaus
 - vioittunut tuote ja/tai valokuvat vioittuneesta osasta tai tuotteesta.
8. Noordin edustaja pidättää oikeuden määritellä, täytyvätkö rajoitetun takuun ehdot.
9. Puhdista tuote huolellisesti ennen sen toimittamista myynninjälkeiseen palveluun.

Tämä rajoitettu takuu ei kata seuraavia vaurioita tai vahinkoja:

1. Vauriot, jotka ovat seurausta jokapäiväisen käytön aiheuttamasta normaalista kulumisesta, laiminlyönnistä tai onnettomuudesta.
2. Vauriot, joiden syynä on väärinkäyttö tai virheellinen huolto. Noudata tässä oppaassa annettuja oikeaa käyttöä ja huoltoa koskevia ohjeita.
3. Korroosion, homeen tai ruosteen aiheuttamat vauriot, joiden syynä on puutteellinen huolto tai ylläpito.
4. Vauriot, jotka ovat seurausta lento- tai kuljetusyhtiön toiminnasta.
5. Renkaiden vauriot.
6. Vauriot, joiden syynä on altistuminen voimakkaalle auringonvalolle, helle tai pesuaineille, varastointi kosteissa olosuhteissa tai pesu.
7. Materiaalien vähäisten muutosten aiheuttamat ongelmat (esim. joidenkin osien värimuutokset).
8. Vauriot, joiden syynä ovat kolmannen osapuolen suorittamat korjaukset tai muutokset.
9. Väilliset vahingot, kuten henkilöille ja/tai muulle omaisuudelle aiheutuvat vahingot.
10. Virheellinen kiinnitys tai tuotteen kanssa yhteensopimattomien kolmansien osapuolten osien asennus.
11. Tahattomat vahingot tai vahingot, joiden syynä on huolimattomuus, epänormaali käyttö tai varomattomuus.
12. Tuotteen virheellinen varastointi tai hoito.
13. Asiakkaan tyytymättömyys tuotteen soveltuvuuteen, painoon, toimintoihin, väriin tai suunnitteluun.

Lisätiedot

www.tutis.lt

Puhelin: +370 372 67259 / +370 656 05846

Sähköposti: support@tutis.lt

Salve avventurieri,

preparatevi a iniziare il magico viaggio dell'essere genitori! Siamo felici che un passeggino Tutis vi possa accompagnare lungo questo viaggio.

Vi preghiamo di leggere con cura le istruzioni e scoprire tutte le possibilità che un passeggino Tutis vi può offrire. Così facendo vi assicurerete della sicurezza e del comfort del vostro bambino.

IT

Godetevi la passeggiata, Tutis.

INFORMAZIONI SULLA SICUREZZA E AVVERTENZE

IMPORTANTE! Il mancato rispetto delle avvertenze e delle istruzioni può provocare gravi lesioni o la morte. Per la sicurezza del vostro bambino, leggete questo manuale d'uso prima di utilizzare il prodotto. Questo prodotto è stato creato in conformità alla norma EN1888-2:2018+A1:2022 Requisiti di sicurezza e metodi di prova per passeggini e carrozzine.

ATTENZIONE! Importante - leggere attentamente e conservare per riferimenti futuri.

ATTENZIONE! Non lasciare mai il bambino da solo.

ATTENZIONE! Assicurarsi che tutti i dispositivi di bloccaggio siano inseriti prima dell'uso.

ATTENZIONE! Per evitare lesioni, assicurarsi che il bambino sia tenuto lontano quando si apre e si ripiega questo prodotto.

ATTENZIONE! Non lasciare che il bambino giochi con questo prodotto.

ATTENZIONE! Controllare che il corpo della carrozzina o la seduta o i dispositivi di fissaggio del seggiolino dell'auto siano inseriti correttamente prima dell'uso.

ATTENZIONE! Questo prodotto non è adatto per correre o pattinare.

RESTRIZIONI D'USO

1. Il carico massimo in una borsa da trasporto è di 2 kg.
2. Il carico massimo in una borsa per pannolini è di 2 kg.
3. Il superamento del carico massimo crea condizioni di instabilità e pericolo.
4. Qualsiasi carico attaccato al manubrio, al sedile o ai lati del passeggino influisce sulla stabilità.

5. Questo prodotto deve essere usato solo per un bambino alla volta.
6. Devono essere utilizzate solo le parti di ricambio fornite o raccomandate dal produttore o dal distributore.

CONSIGLI DI SICUREZZA

Per il prodotto in generale

1. Il freno di stazionamento deve essere inserito quando si posiziona e si rimuove il bambino.
2. Non utilizzare se una parte qualsiasi del prodotto è rotta, strappata o mancante. Assicurarsi che le parti danneggiate o usurate siano riparate immediatamente. Non utilizzare parti o accessori Tutis MIO/MIO plus per altri prodotti, se il produttore non ne dichiara la compatibilità.
3. Togliere il bambino dal prodotto prima di salire o scendere le scale o su superfici ripide o instabili. Fare attenzione quando si sale o si scende da un marciapiede o su altre superfici irregolari.
4. Non utilizzare su scale mobili.
5. Inserire sempre il freno di stazionamento quando non ci si muove con il prodotto.
6. Non utilizzare il prodotto o uno dei suoi componenti vicino a una fiamma libera o altra fonte di calore.
7. Prestare particolare attenzione quando si utilizza il prodotto su o vicino a mezzi di trasporto pubblici.
8. Questo prodotto non è resistente all'acqua salata.
9. È possibile che i pneumatici in gomma lascino segni permanenti su pavimenti come il laminato sintetico o i pavimenti a superficie organica (parquet, linoleum e moquette). Se avete uno di questi pavimenti, fate attenzione ad usare il prodotto in casa.

Per la navicella

AVVERTENZA! Non usare mai il prodotto su un supporto rialzato.

IMPORTANTE! Conservare queste istruzioni per futuro riferimento.

AVVERTENZA! Questo prodotto è adatto a un bambino che non è in grado di stare seduto autonomamente.

ATTENZIONE! Il peso massimo di un bambino nella navicella è di 9 kg. (20 lbs).

ATTENZIONE! PERICOLO DI CADUTA. I movimenti del bambino possono far muovere la navicella. Non posizionare mai la navicella sul letto, sul divano o su un'altra superficie morbida. Non posizionare mai la navicella su un piano di lavoro, un tavolo o altre superfici rialzate.

AVVERTENZA! Utilizzare soltanto su una superficie stabile, orizzontale, piana e asciutta.

ATTENZIONE! Non lasciare che altri bambini giochino da soli

vicino alla navicella.

AVVERTENZA! Non utilizzare se una qualsiasi parte è rotta, strappata o mancante.

1. Il seggiolino Tutis MIO/MIO plus è compatibile solo con il telaio Tutis MIO/MIO plus.
2. La testa del bambino non deve mai essere più in basso del corpo quando si trova nella navicella.
3. Il manico e la base della navicella vanno controllate regolarmente per verificare la presenza di eventuali danni e usura.
4. Prima del sollevamento e del trasporto assicurarsi che il manico si trovi nella posizione corretta per l'uso.
5. Prima del sollevamento o del trasporto assicurarsi che la base reclinabile sia regolata nella posizione più bassa.
6. Non aggiungere altri materassi sopra ai materassi in dotazione o consigliati dal produttore.
7. Non usare mai la navicella per il trasporto dei bambini su un veicolo a motore.

Per la seduta

ATTENZIONE! La seduta è adatta a bambini da 6 mesi a 4 anni o fino a 22kg (33lbs), a seconda di quale delle due condizioni si verifichi per prima.

ATTENZIONE! PERICOLO DI CADUTA. Evitare gravi lesioni dovute alla caduta o allo scivolamento del bambino. Utilizzare sempre il sistema di ritenuta.

1. La seduta è adatta ai bambini dai 6 mesi ai 4 anni o fino a 22kg di peso.
2. Il seggiolino Tutis MIO/MIO plus è compatibile solo con il telaio Tutis MIO/MIO plus.
3. Non lasciare mai che il bambino si alzi in piedi nella seduta. Fate attenzione, i bambini possono stare in piedi anche quando l'imbracatura è usata correttamente.
4. La seduta non può essere usata senza il telaio.

Per il parapigioggia

1. Assicurarsi che il parapigioggia non venga a contatto con il viso del bambino durante l'uso.
2. Controllare frequentemente il bambino quando si usa il parapigioggia.
3. Non utilizzare il parapigioggia per un periodo di tempo prolungato.
4. Non usare il parapigioggia all'esterno quando non piove.
5. Non lasciare il bambino sotto il parapigioggia quando c'è il sole a causa del rischio di surriscaldamento.
6. Non usare il parapigioggia al chiuso.

Se qualcuna di queste istruzioni non è sufficientemente chiara, contattate il vostro rappresentante per una spiegazione dettagliata.

MANUTENZIONE E CURA

SEDUTA E NAVICELLA

ATTENZIONE! Non lasciare mai la navicella o la seduta alla luce diretta del sole per un lungo periodo di tempo. L'esposizione prolungata alla luce del sole può causare lo scolorimento del tessuto.

- Usare sempre un parapigioggia in caso di pioggia o neve.
- Per evitare la condensa o la muffa, non conservare il prodotto in una stanza umida o in una stanza esposta a fluttuazioni di temperatura.

CURA DEI TESSUTI

- L'imbottitura interna della navicella e il coprimaterasso possono essere lavati a mano a 30°C. Utilizzare un detergente delicato. Risciacquare accuratamente. Asciugare naturalmente.
- Tutti gli altri tessuti possono essere puliti solo con un panno umido, acqua calda e sapone neutro. Non lavare in lavatrice.
- Usare la vaporiera per rimuovere le rughe.

TELAIO:

- Se il telaio si bagna, pulirlo con un panno asciutto e lasciarlo asciugare naturalmente, lontano da fiamme libere o altre fonti di calore. Assicurarsi che il passeggino sia completamente asciutto prima di metterlo via.
- Dopo aver usato il passeggino vicino al mare o su una strada sterrata, lavare il telaio con acqua corrente pulita e asciugarlo per evitare la ruggine.
- Applicare grasso al silicone o un altro grasso industriale sui meccanismi in movimento ogni 3 mesi o dopo il lavaggio e la pulizia.
- Controllare regolarmente la presenza di rivetti, bulloni e dadi allentati.
- La deviazione consentita dalla traiettoria diritta su una superficie piana è di 10:100 cm

RUOTE:

- **IMPORTANTE!** Lubrificare gli assi delle ruote posteriori e delle forcelle anteriori prima del primo utilizzo.
- L'esposizione all'acqua, al sale, alla sabbia, allo sporco può causare la corrosione degli assi. Lubrificare gli assi con grasso almeno una volta al mese. Pulire gli assi con un panno monouso prima di lubrificarli.
- Applicare un sottile strato di grasso sulla gomma nella parte superiore della forcella anteriore se si nota che il passeggino ha perso manovrabilità.
- La deviazione radiale massima ammissibile del nuovo prodotto è di +/- 1mm.
- Il passeggino può essere fornito di ruote gonfiabili. Per queste ruote, la pressione massima è di 0,8 bar (115 PSI). Uno pneumatico morbido offre una migliore ammortizzazione su terreni accidentati. Una pressione superiore a 0,8 bar (115 PSI) può deformare il cerchio o far esplodere la camera d'aria.

FRENO DI STAZIONAMENTO

- **ATTENZIONE!** Non usare mai la forza per applicare o rilasciare il freno.
- Il meccanismo del freno di stazionamento è composto da parti mobili e richiede una manutenzione regolare.
- Sabbia, polvere o sporco possono interferire con il meccanismo del freno. Se notate che il

meccanismo non funziona o funziona più difficilmente del solito, lavate con uno spray lubrificante o un getto d'acqua e una spazzola e lubrificate le superfici di lavoro del pedale del freno.

STOCCAGGIO E TRASPORTO

- Non sovraccaricare il prodotto o schiacciarlo con il coperchio del bagagliaio dell'auto, poiché un carico prolungato può deformare in modo permanente alcune parti del prodotto, in particolare le ruote e i parasole della navicella o della seduta.
- Rimuovere le ruote posteriori e anteriori dal telaio prima di metterlo via per un lungo periodo di tempo.

IT

GARANZIA LIMITATA

1. Questo prodotto è coperto da una garanzia limitata, contro i difetti di fabbricazione o di materiale, sulla base di un uso normale e se le istruzioni di questo manuale utente sono state seguite.
2. Il periodo di garanzia limitata inizia dalla data di acquisto indicata sulla ricevuta d'acquisto. Conservare la ricevuta d'acquisto in un luogo sicuro e farne una copia.
3. La garanzia limitata prevede il diritto alla riparazione, a meno che il produttore non ritenga necessaria la sostituzione o la restituzione del prodotto.
4. Il produttore si riserva il diritto di interrompere la produzione di un particolare modello, colore, tessuto o accessorio, e quindi sostituirà un pezzo con un prodotto, colore o tessuto simile durante il periodo di garanzia.
5. La garanzia limitata è valida solo nel paese originale di acquisto.
6. La presente garanzia non esclude, limita o influenza in altro modo i diritti legali dei consumatori.
7. Per reclamare in base alla garanzia limitata, è necessario fornire al rivenditore quanto segue:
 - una copia della ricevuta con la data di acquisto;
 - una chiara descrizione del reclamo;
 - il prodotto difettoso e/o fotografie della parte o del prodotto difettoso.
8. Il rappresentante Tutis si riserva il diritto di determinare se i termini e le condizioni della garanzia limitata sono stati soddisfatti.
9. Si prega di pulire il prodotto prima di consegnarlo al servizio post-vendita.

QUANTO SEGUE NON È COPERTO DALLA PRESENTE GARANZIA LIMITATA:

1. Danni dovuti alla normale usura da uso quotidiano, negligenza o incidente.
2. Danni causati da uso improprio o scarsa manutenzione. Si prega di fare riferimento a questo manuale per una guida all'uso e alla manutenzione corretti.
3. Danni dovuti a corrosione, muffa o ruggine causati da mancanza di manutenzione o servizio.
4. Danni risultanti dalla manipolazione o dalla spedizione in aereo.
5. Danni ai pneumatici.
6. Danni causati da un'intensa esposizione al sole, sudore, detergenti, stoccaggio in luogo umido o lavaggio.
7. Problemi causati da piccole variazioni nei materiali (per esempio scolorimento tra le parti).

8. Danni causati da riparazioni o modifiche da parte di terzi.
9. Danni indiretti, per esempio danni inflitti a persone e/o altri oggetti.
10. Montaggio errato o installazione di parti terze incompatibili con il prodotto.
11. Danni involontari o non intenzionali, uso anomalo o cura insufficiente.
12. Conservazione o cura del prodotto in modo improprio.
13. Insoddisfazione del cliente per il prodotto in termini di vestibilità, peso, funzionalità, colore o design.

PER MAGGIORI INFORMAZIONI

www.tutis.lt

Telefono: +370 372 67259; +370 656 05846

E-mail: support@tutis.lt

Bonjour les aventuriers,

préparez-vous à commencer le voyage magique de la parentalité ! Nous sommes ravis que la poussette Tutis vous accompagne dans ce voyage.

Veillez lire attentivement les instructions et vous renseigner sur toutes les possibilités offertes par la poussette Tutis. Cela vous aidera à garantir la sécurité et le confort de votre bébé.

Bonne promenade, Tutis.

INFORMATIONS DE SÉCURITÉ ET AVERTISSEMENTS

IMPORTANT! Le non-respect des avertissements et des instructions peut entraîner des blessures graves ou la mort. Pour la sécurité de votre enfant, lisez ce manuel d'utilisation avant d'utiliser ce produit. Ce produit a été créé conformément à la norme EN1888-2:2018+A1:2022 Exigences de sécurité et méthodes d'essai pour les poussettes et les landaus.

AVERTISSEMENT! IMPORTANT - À LIRE ATTENTIVEMENT ET À CONSERVER POUR RÉFÉRENCE ULTÉRIEURE

AVERTISSEMENT! Ne jamais laisser un enfant sans surveillance.

AVERTISSEMENT! S'assurer que tous les dispositifs de verrouillage sont enclenchés avant utilisation.

AVERTISSEMENT! Pour éviter toute blessure, maintenir l'enfant à l'écart lors du dépliage et du pliage du produit.

AVERTISSEMENT! Ne pas laisser un enfant jouer avec ce produit.

AVERTISSEMENT! Vérifier que les dispositifs de fixation de la nacelle, du siège ou du siège auto sont correctement enclenchés avant utilisation.

AVERTISSEMENT! Ce produit ne convient pas pour faire du jogging ou des promenades en rollers.

Conditions d'utilisation

1. La charge maximale dans une housse de transport est de 2 kg.
2. La charge maximale d'un sac à langer est de 2 kg.
3. Tout dépassement de la charge maximale peut engendrer des situations dangereuses et instables.
4. Toute charge fixée au guidon, au siège ou sur le côté de la poussette affecte la stabilité.
5. Ce produit ne peut être utilisé que pour un seul enfant à la fois.
6. N'utiliser que les pièces de rechange fournies ou recommandées par le fabricant ou le distributeur.

Conseils de sécurité

Pour le produit dans son ensemble

1. Le frein de stationnement doit être enclenché lors de l'installation et du retrait de l'enfant.
2. Ne pas utiliser si une partie du produit est cassée, déchirée ou manquante. S'assurer que toute pièce endommagée ou usée soit réparée immédiatement. Ne pas utiliser les pièces ou accessoires de Tutis Luno pour d'autres produits, si le fabricant ne garantit pas la compatibilité.
3. Sortir l'enfant du produit avant de monter ou descendre des escaliers, ou sur une surface abrupte ou instable. Faire attention en montant ou descendant un trottoir ou sur d'autres surfaces irrégulières.
4. Ne pas utiliser sur les escaliers mécaniques.
5. Toujours enclencher le frein de stationnement en cas de déplacement sans le produit.
6. Ne pas utiliser le produit ou l'un de ses composants à proximité d'une flamme nue ou d'une autre source de chaleur.
7. Faire preuve d'une prudence accrue lors de l'utilisation du produit dans ou à proximité de transports publics.
8. Ce produit n'est pas résistant à l'eau salée.
9. Les pneus en caoutchouc peuvent laisser des traces permanentes sur les sols tels que les stratifiés synthétiques ou les sols à surface organique (parquet, linoléum et moquette). Si vous disposez de l'un de ces sols, faites attention en utilisant le produit à l'intérieur.

Pour la nacelle

AVERTISSEMENT! Ne jamais poser ce produit sur un support.

IMPORTANT! Conserver ces instructions pour les besoins ultérieurs de référence.

AVERTISSEMENT! Cet article ne convient pas pour un enfant qui ne sait pas s'asseoir seul.

AVERTISSEMENT! Le poids maximum d'un enfant dans la nacelle est de 9 kg. (20 lbs).

AVERTISSEMENT! RISQUE DE CHUTE : Les mouvements d'un enfant peuvent faire bouger la nacelle. Ne jamais placer la nacelle sur un lit, un canapé ou une autre surface molle. Ne jamais placer la nacelle sur un comptoir, une table ou toute autre surface surélevée.

AVERTISSEMENT! Ne poser que sur une surface plane, horizontale, ferme et sèche.

AVERTISSEMENT! Ne pas laisser d'autres enfants jouer sans surveillance à proximité de la nacelle.

AVERTISSEMENT! Ne pas utiliser si l'un des éléments du couffin est cassé, déchiré ou manquant.

1. La nacelle Tutis MIO/MIO plus est compatible uniquement avec le châssis Tutis MIO/MIO

plus.

2. La tête de l'enfant placé dans la nacelle ne doit jamais être située plus bas que le corps de l'enfant.
3. Il convient d'inspecter régulièrement la poignée et le fond de la nacelle afin de détecter tout signe d'endommagement ou d'usure.
4. Avant de la porter ou de la soulever, assurez-vous que la poignée est dans la position d'utilisation correcte.
5. Avant de la porter ou de la soulever, assurez-vous que la base inclinée est réglée dans la position la plus basse.
6. N'ajoutez pas un autre matelas par-dessus le matelas fourni ou recommandé par le fabricant.
7. N'utilisez jamais cette nacelle pour transporter un enfant dans un véhicule à moteur.

Pour le siège

AVERTISSEMENT! Ce siège ne convient pas aux enfants de moins de 6 mois.

AVERTISSEMENT! Utiliser toujours un système de retenue.

1. Le siège convient aux enfants de 6 mois à 4 ans, ou jusqu'à 22 kg, selon le cas.
2. Le siège Tutis MIO/MIO plus est compatible uniquement avec le châssis Tutis MIO/MIO plus.
3. Ne jamais permettre à votre enfant de se lever dans un siège. Attention, les enfants peuvent se lever même si le harnais est utilisé correctement.
4. Le siège ne peut pas être utilisé sans châssis.

Concernant la housse de pluie

1. S'assurer que la housse de pluie n'entre pas en contact avec le visage d'un enfant pendant l'utilisation.
2. Vérifier régulièrement l'enfant au cours de l'utilisation de la housse de pluie.
3. Ne pas utiliser la housse de pluie pendant une période prolongée.
4. Ne pas utiliser la housse de pluie à l'extérieur lorsqu'il ne pleut pas.
5. Ne pas laisser un enfant sous la housse de pluie par temps ensoleillé en raison du risque de surchauffe.
6. Ne pas utiliser la housse de pluie à l'intérieur.

Si l'une de ces instructions n'est pas suffisamment explicite, veuillez contacter votre représentant commercial pour obtenir des explications supplémentaires.

MAINTENANCE ET ENTRETIEN

Siège et nacelle

AVERTISSEMENT ! Ne jamais laisser la nacelle ou le siège à la lumière directe du soleil pendant une période prolongée. Une exposition prolongée au soleil peut entraîner une décoloration du textile.

- Toujours utiliser une housse de pluie en cas de pluie ou de neige.
- Pour éviter la condensation ou la moisissure, ne pas entreposer le produit dans une pièce humide ou dans une pièce exposée à des variations de température.

Entretien des tissus

- Le rembourrage intérieur de la nacelle et la housse de matelas peuvent être lavés à la main dans une eau à 30°C. Utiliser un détergent doux. Rincer abondamment. Laisser sécher naturellement.
 - Les autres tissus peuvent être nettoyés uniquement à l'aide d'un chiffon humide, d'eau chaude et de savon doux. Ne pas laver les tissus en machine.
- Utiliser un appareil à vapeur pour défroisser les tissus.

Châssis

- Si le châssis est mouillé, il faut l'essuyer avec un chiffon sec et le laisser sécher naturellement, à l'écart d'une flamme nue ou de toute autre source de chaleur. S'assurer que la poussette est complètement sèche avant de la ranger.
 - Après avoir utilisé la poussette en bord de mer ou sur une route sablonneuse, laver le châssis à l'eau courante et le sécher pour éviter la rouille.
 - Appliquer de la graisse au silicone ou toute autre graisse industrielle sur les mécanismes mobiles tous les 3 mois ou après le lavage et le nettoyage.
 - Vérifier régulièrement que les rivets, boulons et écrous ne sont pas desserrés.
- L'écart autorisé par rapport à une trajectoire rectiligne sur une surface plane est de 10:100 cm.

Roues

IMPORTANT ! Avant la première utilisation, lubrifier les essieux des roues arrière et des fourches avant.

- L'exposition à l'eau, au sel, au sable et à la saleté peut entraîner la corrosion des essieux. Lubrifier les essieux avec de la graisse au moins une fois par mois. Nettoyer les essieux avec une lingette jetable avant de les lubrifier.
- Appliquer une fine couche de graisse sur le caoutchouc situé en haut de la fourche avant si vous constatez que la poussette a perdu de sa maniabilité.

L'écart latéral admissible du nouveau produit par rapport à la jante est de +/- 1 mm.

- La poussette peut être équipée de roues gonflables. Pour ces roues, la pression maximale est de 0,8 bar (115 PSI). Un pneu souple permet un meilleur amortissement sur les terrains accidentés. Une pression supérieure à 0,8 bar (115 PSI) peut déformer la jante ou faire exploser la chambre à air.

Frein de stationnement

AVERTISSEMENT ! Ne jamais recourir à la force pour serrer ou desserrer le frein.

- Le mécanisme du frein de stationnement est constitué de pièces mobiles et nécessite un entretien régulier.
- Le sable, la poussière ou la saleté peuvent interférer avec le mécanisme de freinage. Si vous remarquez que le mécanisme ne fonctionne pas ou qu'il fonctionne plus difficilement que d'habitude, nettoyez-le à l'aide d'un spray lubrifiant ou d'un jet d'eau et d'une brosse et lubrifiez les surfaces actives de la pédale de frein.

Stockage et transport

- Ne pas surcharger le produit ou l'écraser avec le couvercle d'un coffre de voiture, car un chargement prolongé peut déformer de façon permanente certaines parties du produit, en particulier les roues et les pare-soleil de la nacelle ou du siège.

- Retirer les roues arrière et avant du châssis avant de le ranger pendant une période prolongée.

GARANTIE LIMITÉE

1. Ce produit est couvert par une garantie limitée, contre les défauts de fabrication ou de matériaux, dans le cadre d'une utilisation normale et si les instructions de ce manuel d'utilisation ont été suivies.
2. La période de garantie limitée commence à partir de la date d'achat indiquée sur le ticket de caisse. Conserver le ticket de caisse dans un endroit sûr et en faire une copie.
3. La garantie limitée donne droit à une réparation, sauf si le fabricant estime que le remplacement ou le retour du produit est nécessaire.
4. Le fabricant se réserve le droit d'arrêter la fabrication d'un modèle, d'une couleur, d'un tissu ou d'un accessoire en particulier et, par conséquent, il remplacera une pièce par un produit, une couleur ou un tissu similaire pendant la période de garantie.
5. La garantie limitée est valable uniquement dans le pays d'origine de l'achat.
6. Cette garantie n'exclut pas, ne limite pas et n'affecte pas les droits légaux des consommateurs.
7. Pour faire valoir la garantie limitée, vous devez fournir au revendeur les éléments suivants:
 - une copie de la facture datée de l'achat;
 - une description claire de la réclamation;
 - le produit défectueux et/ou des photographies de la pièce ou du produit défectueux.
8. Le représentant de Tutis se réserve le droit de déterminer si les conditions générales de la garantie limitée ont été respectées.
9. Veuillez nettoyer le produit avant de le remettre au service après-vente.

FR

Les éléments suivants ne sont pas couverts par cette garantie limitée

1. Les dommages dus à l'usure normale résultant d'une utilisation quotidienne, d'une négligence ou d'un accident.
2. Les dommages causés par une mauvaise utilisation ou un mauvais entretien. Veuillez vous référer à ce manuel pour obtenir des conseils sur la bonne utilisation et l'entretien.
3. Les dommages dus à la corrosion, la moisissure ou la rouille causés par un manque d'entretien ou de service.
4. Les dommages qui résultent d'une manipulation par une compagnie aérienne ou d'une expédition.
5. Les dommages sur les pneus.
6. Les dommages causés par une exposition intense au soleil, la sueur, les détergents, le stockage dans un endroit humide ou le lavage.
7. Les problèmes causés par des variations mineures des matériaux (par exemple, la décoloration entre les pièces).
8. Les dommages causés par une réparation ou une modification par un tiers.
9. Les dommages indirects, par exemple les dommages occasionnés à toute personne et/ou tout autre objet.
10. Le montage ou l'installation incorrecte de pièces tierces incompatibles avec le produit.
11. Les dommages involontaires ou non intentionnels, une utilisation anormale ou un entretien insuffisant.
12. Un stockage ou un entretien inadéquat du produit.

13. Une insatisfaction du client concernant le produit en termes d'ajustement, de poids, de fonctionnalité, de couleur ou de conception.

Pour plus d'informations

www.tutis.lt

Téléphone : +370 372 67259; +370 656 05846

E-mail : support@tutis.lt

Sveiki nuotykių ieškotojai,

pasiruoškite pradėti stebuklingą tėvystės kelionę! Džiaugiamės, kad šoje kelionėje lydės „Tutis“ vežimėlis.

Prašome atidžiai perskaityti instrukciją ir sužinoti apie visas galimybes, kurias Jums suteiks „Tutis“ vežimėlis. Tai padės užtikrinti jūsų kūdikio saugumą ir komfortą.

Mėgaukitės pasivaikščiojimu, kartu su Tutis.

LT

SAUGOS INFORMACIJA IR ĮSPĖJIMAI

SVARBU! Saugos instrukcijų nesilaikymas gali baigtis rimtu sužalojimu ar mirtimi. Dėl savo vaiko saugumo, perskaitykite šį vartotojo vadovą prieš pradėdami naudotis produktu. Šis produktas yra sukurtas pagal EN1888-2:2018+A1:2022 „Saugos reikalavimai ir testavimo metodai vaikiškiems vežimėliams“.

ĮSPĖJIMAS! Svarbu – atidžiai perskaitykite ir saugokite, kad vėliau galėtumėte pasiskaityti.

ĮSPĖJIMAS! Niekada nepalikite vaiko be priežiūros.

ĮSPĖJIMAS! Prieš pradėdami naudoti įsitinkinkite, kad visi fiksavimo įtaisai yra sujungti.

ĮSPĖJIMAS! Kad išvengtumėte sužalojimų, prieš suskleisdami ar išskleisdami gaminį, visada įsitinkinkite, kad vaikas yra atokiau.

ĮSPĖJIMAS! Neleiskite vaikui žaisti su šiuo gaminiu.

ĮSPĖJIMAS! Prieš naudodami patikrinkite, ar vežimėlio lopšio, sėdynės arba automobilinės kėdutės tvirtinimo įtaisai yra tinkamai sujungti.

ĮSPĖJIMAS! Šis gaminytis nėra tinkamas bėgimui ar važinėjimui riedučiais.

Naudojimosi apribojimai

1. Didžiausias leidžiamas svoris krepšyje po sėdyne yra 2 kg.
2. Didžiausias leidžiamas svoris krepšyje ant rankenos yra 2 kg.
3. Jeigu viršijama didžiausia leistina apkrova, vežimėlis gali sulūžti ar susidaryti pavojingos aplinkybės.
4. Bet kokia papildoma apkrova ant rankenos, sėdynės ar vežimėlio šono neigiamai veikia vežimėlio stabilumą.
5. Šis produktas skirtas vienam vaikui vienu metu.
6. Šiam gaminiui naudokite tik originalias Tutis atsargines dalis ir priedus

Patarimai saugai

Bendrai gaminiui

1. Prieš įdedant ar išimant vaiką patikrinkite, ar įjungtas parkavimo stabdys.
2. Nenaudokite produkto, jeigu kuri nors gaminio dalis yra, sulūžusi ar suplyšus ar jos trūksta. Pasirūpinkite, kad sulūžusi ar susidėvėjusi dalis būtų nedelsiant sutvarkyta. Nenaudokite Tutis MIO/MIO plus dalių ar priedų kitiems vežimėliams įskaitant kitus Tutis gaminius, jeigu gamintojas nenurodo tarpusavio suderinamumo.
3. Jei kylate ar leidžiatės laiptais, važiuojate stačiu ar nestabiliu pagrindu, išimkite vaiką iš vežimėlio. Būkite atidūs kildami ant ar leisdamiesi nuo šaligatvio bortelio.
4. Nevažiuokite su vežimėliu ant eskalatoriaus.
5. Kai nevažiuojate, fiksuokite stovėjimo stabdį.
6. Nenaudokite gaminio ar jo dalių šalia atviros ugnies ar kitų karščio šaltinių.
7. Būkite ypač atidūs naudodami vežimėlį viešame transporte ar šalia jo.
8. Šis produktas nėra atsparus sūriam vandeniui.
9. Yra tikimybė, kad ant sintetinio laminato ar organinio pagrindo grindų dangos (parketas, linoleumas ar kilimas) ratų padangos gali palikti ilgalaikes žymes. Jeigu namuose turite šio tipo grindis, būkite atidūs, vežimėlį naudodami viduje.

Lopšiui

ĮSPĖJIMAS! Niekada nenaudokite šio gaminio ant stovų.

SVARBU! Išsaugokite instrukciją, kad prireikus galėtumėte ja pasinaudoti ateityje.

ĮSPĖJIMAS! Šis gaminytis tinka tik vaikui, kuris negali savarankiškai atsistoti.

ĮSPĖJIMAS! Didžiausias leistinas kūdikio svoris lopšyje 9 kg. (20lbs).

ĮSPĖJIMAS! IŠKRITIMO PAVOJUS. Vaiko judesiai gali išjudinti lopšį. Niekada nedėkite lopšio su vaiku ant lovos, sofos ar kito minkšto pagrindo. Nedėkite lopšio su vaiku ant stalo, stalviršio ar kitų aukštų paviršių.

ĮSPĖJIMAS! Naudoti tik ant tvirto, horizontalaus ir sauso paviršiaus.

ĮSPĖJIMAS! Neleisti kitiems vaikams be priežiūros žaisti šalia nešiojamojo lopšio.

ĮSPĖJIMAS! Nenaudoti, jei kuri nors dalis yra sulūžusi, perplėšta arba jos trūksta.

1. Tutis MIO/MIO plus lopšys yra tinkamas naudoti tik su Tutis MIO/MIO plus važiuokle.
2. Vaikui esant lopšyje, jo galva negali būti žemiau už jo kūną.
3. Rankeną ir lopšio dugną reikia reguliariai tikrinti dėl galimų pažeidimų ir nusidėvėjimo požymių.

4. Prieš nešdami ar keldami įsitikinkite, kad rankena yra tinkamoje naudojimo padėtyje.
5. Prieš nešdami ar keldami įsitikinkite, kad atlenkiamas pagrindas nustatytas žemiausioje padėtyje.
6. Ant gamintojo pateikto ar rekomenduojamo čiužinio nedėkite kito čiužinio.
7. Niekada nenaudokite šio lopšio vaikui vežti motorine transporto priemone.

Sėdimai daliai

ĮSPĖJIMAS! Sėdima dalis yra tinkama vaikams nuo 6 mėnesių iki 4 metų arba iki 22kg (33lbs) atsižvelgiant į tai, kas įvyks anksčiau.

ĮSPĖJIMAS! IŠKRITIMO PAVOJUS. Išvenkite rimtų sužalojimų dėl vaiko iškritimo iš sėdimos dalies. Visada naudokite saugos diržus..

1. Sėdimoji dalis tinka vaikams nuo 6 mėnesių iki kol vaikui sueis 4 metai arba vaiko svoris pasieks 22 kg, priklausomai, kas įvyks anksčiau.
2. Tutis MIO/MIO plus sėdima dalis yra tinkama naudoti tik su Tutis MIO/MIO plus važiuokle.
3. Neleiskite vaikui atsistoti sėdynėje. Būkite budrūs, vaikas gali atsistoti net jei yra prisegtas saugos diržais.
4. Sėdima dalis nėra skirta naudoti be važiuoklės.

Apsaugai nuo lietaus

1. Užtikrinkite, kad naudojimo metu lietaus apsauga neliečia veido.
2. Dažnai patikrinkite vaiką, kai naudojate apsaugą nuo lietaus.
3. Nenaudokite apsaugos nuo lietaus ilgą laiką.
4. Nenaudokite apsaugos nuo lietaus lauke kai nelyja.
5. Nepalikite vaiko po lietaus apsauga saulėtu oru dėl pavojaus perkaisti.
6. Nenaudokite lietaus apsaugos patalpų viduje.

Jei kuris nors įspėjimas ar patarimas neaiškus, susisiekite su Tutis atstovu dėl detalesnio paaiškinimo.

GAMINIO PRIEŽIŪRA

Sėdima dalis ir lopšys

ĮSPĖJIMAS! Niekada nepalikite vežimėlio tiesioginėje saulės šviesoje ilgiam laikui. Dėl ilgalaikio saulės spindulių poveikio gali keistis vežimėlio audinių spalva.

- Jei lyja ar sniega, visada naudokite apsaugą nuo lietaus.
- Nelaikykite vežimėlio drėgnoje patalpoje arba patalpoje su temperatūros svyravimais, kad išvengtumėte kondensato susidarymo bei pelėsio.

Audinių priežiūra:

- Lopšio vidinį įklotą ir čiužinuko užvalkalą galima skalbti rankomis ne aukštesnės kaip 30°C vandenyje. Prieš skalbiant nuvilkite užvalkalą nuo čiužinio. Naudokite švelnią skalbimo priemonę. Kruopščiai išskalaukite. Džiovinkite natūraliu būdu.
- Visų kitų audinių valymui naudokite tik drėgną šluostę ir švelnią valymo priemonę.

Neskalbkite skalbimo mašinoje.

· Audinių lyginimui naudokite drabužių garintuvą.

Važiuklė:

· Jei važiuoklė sušlapo, panaudojus ją nušluostykite sausa šluoste ir išdžiovinkite. Džiovinkite natūraliai, toli nuo atvirų ugnies ar karščio šaltinių. Prieš padėdami sandėliuoti patikrinkite, kad važimėlis būtų visiškai sausas.

· Panaudojus prie jūros ar druskingame kelyje, nuplaukite važiuoklę švaraus vandens (čiaupo) srove ir išdžiovinkite, kad išvengtumėte rūdžių atsiradimo.

· Judančias dalis sutepkite silikono ar kitu tirštu tepalu kas 3 mėn. arba po plovimo ar valymo.

· Reguliariai patikrinkite ar neatsipalaidavusios kniedės, varžtai ar varžlės.

· Leistinas naujo vežimėlio nukrypimas nuo tiesios trajektorijos važiuojant lygiu pagrindu 10:100 cm

Ratai:

· **SVARBU!** Prieš naudodami vežimą pirmą kartą, sutepkite galinių ratų ir priekinių šakių ašis.

· Vandens, druskos, smėlio, purvo ar dulkių poveikis gali sukelti ašelių koroziją. Bent kartą per mėnesį sutepkite ašeles tepalu. Prieš sutepdami švariai nuvalykite ašeles vienkartinė šluoste.

· Jeigu pastebėjote, kad vežimėlis prarado manevringumą, plonu tepalo sluoksniu patepinkite priekinės šakės viršuje esančią guminę detalę.

· Leistinas naujo vežimėlio ratlankio šoninis mušimas +/-1mm.

· Vežimėlis gali būti komplektuojamas su pripučiamais ratais. Tuomet maksimalus slėgis yra 0,8 bar (115 PSI). Minkšta padanga geriau amortizuoja važiuojamo paviršiaus nelygumus. Didesnis nei 0,8 bar (115 PSI) slėgis gali deformuoti ratlankį arba susprogdinti kamerą.

Parkavimo stabdys

· **ISPĖJIMAS!** Niekados nenaudokite jėgos stabdžiams įjungti ar išjungti!

· Stovėjimo stabdį ir ratų amortizacijos sistemą sudaro judančios dalys. Joms reikalinga reguliari priežiūra.

· Smėlis, dulkės ar purvas gali sutrikdyti stabdžių ir amortizatorių sistemos veikimą. Jeigu pastebėjote kad sistema neveikia, ar veikia sunkiau, negu įprastai, išplaukite purškiamu tepalu arba vandens srove ir šepetėliu ir sutepkite stabdžių pedalo darbinis paviršius.

Sandėliavimas ir transportavimas:

· Neapkraukite gaminio papildomu svoriu ir nesuspauskite gaminio bagažinės dangčiu, nes ilgalaikė apkrova gali negrįžtamai deformuoti gaminio dalis, ypač ratus ir lopošio bei sėdimos dalies stogelį.

· Sandėliuojant ilgesniam laikui, rekomenduojame nuo važiuoklės nuimti galinius ir priekinius ratus.

GARANTIJOS SĄLYGOS

1. Šiam gaminiui taikoma garantija dėl gamybos ar medžiagų defektų, naudojant jį pagal paskirtį ir laikantis nurodymų aprašytų šiame vartotojo vadove.

2. Garantinis laikotarpis prasideda nuo pirkimo datos, nurodytos pirkimo kvite. Laikykite pirkimo kvitą saugioje vietoje, pasidarykite jo kopiją.

3. Garantija suteikia teisę remontuoti, nebent gamintojas manytų, kad gaminį reikia

pakeisti arba grąžinti.

4. Gamintojas pasilieka teisę nutraukti konkretaus modelio, spalvos, audinio ar aksesuaro gamybą, o tai reiškia, kad per garantinį laikotarpį sugedusią detalę pakeis panašios spalvos ar panašia detale.

5. Garantija galioja tik toje šalyje, kurioje gaminys buvo parduotas.

6. Garantija neatmeta, neapriboja ar kitaip nepažeidžia jokių įstatymais nustatytų vartotojų teisių.

7. Norėdami pasinaudoti garantija, turite pateikti pardavėjui:

· pirkimo kvito su data kopiją;

· aiškiai išdėstytą pretenziją;

· gaminį su trūkumais ir (arba) gaminio ar gaminio dalies su trūkumais nuotraukas.

8. Tutis atstovas pasilieka teisę nustatyti, ar buvo laikomasi garantijos sąlygų.

9. Gaminį j garantinio aptarnavimo servisą pristatykite švarų.

Garantija netaikoma:

1. Žalai, atsiradusiai dėl aplaidumo ar nelaimingo atsitikimo.

2. Žalai, atsiradusiai dėl vežimėlio netinkamo naudojimo ar netinkamos priežiūros. Šiame vadove rasite instrukcijas, kaip tinkamai jį naudoti ir prižiūrėti.

3. Žalai, kurių sukėlė korozija, pelėsiai ar rūdys dėl nepakankamos priežiūros ar aptarnavimo.

4. Žalai, atsiradusiai gabenant lėktuvu ar kitu būdu.

5. Padangų pažeidimams.

6. Žalai, kurių sukėlė intensyvus saulės, prakaito, ploviklių poveikis, laikymas drėgnose sąlygose, plovimas.

7. Problemoms, kurias sukelia nedideli medžiagų pokyčiai (pvz. vežimėlio dalių spalvos pasikeitimas).

8. Žalai, kai remontą atlieka neįgalioji asmenys.

9. Žmonėms ar kitiems daiktams padarytai žalai.

10. Žalai, atsiradusiai sumontavus netinkamas, su gaminiu nesuderinamas trečiųjų šalių dalis.

11. Žalai, atsiradusiai dėl netyčinio pažeidimo, netinkamo naudojimo ar nepakankamos priežiūros.

12. Žalai, atsiradusiai dėl netinkamo gaminio laikymo ar priežiūros.

13. Kliento nepasitenkinimui dėl gaminio tinkamumo, svorio, funkcionalumo, spalvos ar dizaino.

Daugiau informacijos

www.tutis.lt

Telefonai: +370 372 67259, +370 656 05846

El. paštas support@tutis.lt

Sveicināti, piedzīvojumu meklētāji,

Esiet gatavi sākt brīnumaino ceļojumu vecāku lomā! Pricējamies, ka šajā ceļojumā Jūs pavadīs "Tutis" ratiņi.

Lūdzam uzmanīgi izlasīt instrukciju, kurā uzzināsiet par visām "Tutis" ratiņu tehniskajām īpašībām. Tas palīdzēs nodrošināt jūsu mazuļa drošību un komfortu.

Izbaudiet pastaigu kopā ar "Tutis".

DROŠĪBAS INFORMĀCIJA UN BRĪDINĀJUMI

SVARĪGI! Brīdinājumu un norādījumu neievērošana var būt nopietnu traumu vai nāves iemesls. Jūsu bērna drošībai pirms izstrādājuma lietošanas izlasiet lietošanas instrukciju. Šis izstrādājums ir radīts saskaņā ar EN1888-2:2018+A1:2022 Drošības prasības un testēšanas metodes bērnu ratiņiem.

BRĪDINĀJUMS! Svarīgi! – Pirms lietošanas uzmanīgi izlasiet šo instrukciju, un vēlāk to turiet pa rokai, lai būtu kur ieskatīties.

BRĪDINĀJUMS! Neatstājiet bērnu bez uzraudzības.

BRĪDINĀJUMS! Pirms lietošanas noteikti jāiedarbina visas bloķējošās ierīces.

BRĪDINĀJUMS! Lai nepieļautu traumu risku, atlokot un salokot šo izstrādājumu, bērnam noteikti jāatrodas drošā atstatumā no tā.

BRĪDINĀJUMS! Neļaujiet bērnam spēlēties ar šo izstrādājumu.

BRĪDINĀJUMS! Pirms lietošanas pārbaudiet, vai ratiņu korpuss vai sēdekļa bloks, vai automašīnas sēdeklīša piestiprināšanas ierīces ir pareizi iestatītas.

BRĪDINĀJUMS! Šis izstrādājums nav piemērots skriešanai vai slidošanai.

Lietošanas ierobežojumi

1. Maksimālais svars piederumu somā ir 2 kg.
2. Maksimālais svars pampere somā ir 2 kg.
3. Maksimālā svara pārsniegšana rada nestabilitāti un risku.
4. Jebkāds pie rokturiem, sēdekļa vai sānos piestiprināts papildu svars ietekmē ratiņu stabilitāti.
5. Šo izstrādājumu vienlaikus drīkst lietot tikai vienam bērnam.
6. Izmantojiet tikai tās rezerves daļas, kuras iesaka vai piegādā ražotājs vai izplatītājs.

Drošības ieteikumi

Izstrādājumam kopumā

1. Ieliecot bērnu kulbā vai izņemot no tās, vienmēr jābūt iedarbinātai bremzei.
2. Nelietojiet ratiņus, ja kāda to detaļa ir salauzta, saplēsta vai tās nav. Gādājiet, lai ikviena bojātā vai nolietotā detaļa tiktu nekavējoties nomainīta. Nelietojiet Tutis MIO/MIO plus detaļas vai piederumus ar citiem izstrādājumiem, ja ražotājs nav atzinis to saderību.
3. Kāpjot augšā un lejā pa kāpnēm vai pārvietojoties pa stāvu vai nelīdzenu virsmu, izņemiet bērnu no ratiņiem. Esiet uzmanīgi uz ielu apmalēm vai nelīdzenām virsmām.
4. Neizmantojiet eskalatorus.
5. Kad nelietojat ratiņus, vienmēr iedarbiniet bremzi.
6. Nelietojiet šo izstrādājumu vai tā sastāvdaļas atklātas liesmas vai karstuma avotu tuvumā.
7. Esiet īpaši piesardzīgi, pārvietojot ratiņus sabiedriskajā transportā vai atrodoties blakus tam.
8. Šis izstrādājums nav izturīgs pret sālsūdeni.
9. Gumijas riepas var atstāt nospiedumus uz dažāda veida grīdas seguma, piemēram, sintētiskā lamināta, parketa, linoleja vai paklāja. Ja jums ir šāds grīdas segums, esiet uzmanīgi, kad lietojat šo izstrādājumu telpās.

Kulbai

BRĪDINĀJUMS! Nelietojiet šo pārnēsājamo bērna gultiņu uz paliktņa.

SVARĪGI! Turiet šo instrukciju pa rokai, lai vēlāk būtu kur ieskatīties.

BRĪDINĀJUMS! Šī gultiņa ir piemērota tikai bērnam, kas nevar patstāvīgi apsēsties.

BRĪDINĀJUMS! Maksimālais bērna svars kulbā ir 9 kg (20 lbs).

BRĪDINĀJUMS! IZKRIŠANAS RISKS. Bērns var iekustināt kulbu. Nekad nenovietojiet kulbu uz gultas, dīvāna vai citas mīksta virsmas. Nekad nenovietojiet kulbu, kurā ir bērns, uz darbvirsmas, galda vai citām augstām vietām.

BRĪDINĀJUMS! Lietojiet tikai uz cietas, horizontālas, līdzenas un sausas virsmas.

BRĪDINĀJUMS! Neļaujiet nepieskatītiem bērniem bez pieaugušo uzraudzības spēlēties līdzās kulbai.

BRĪDINĀJUMS! Ja kādas sastāvdaļas trūkst vai tā ir salauzta vai saplēsta, gultiņu nelietojiet.

1. Tutis MIO/MIO plus kulba ir savietojama tikai ar Tutis MIO/MIO plus rāmi.
2. Kamēr bērns atrodas kulbā, bērna galva nedrīkst atrasties zemāk par ķermeni.
3. Regulāri pārbaudiet, vai kulbas rokturim un apakšdaļai nav bojājumu un nodiluma pazīmju.

4. Pirms pārvietošanas vai pacelšanas pārliecinieties, ka rokturis atrodas atbilstošā izmantošanas pozīcijā.
5. Pirms pārvietošanas vai pacelšanas pārliecinieties, ka atgāztā pamatne ir noregulēta viszemākajā pozīcijā.
6. Nenovietojiet uz ražotāja piedāvātā vai ieteiktā matrača vēl vienu papildu matraci.
7. Nekad nelietojiet šo kulbu, lai pārvadātu bērnu automašīnā.

Sēdeklis

BRĪDINĀJUMS! Sēdeklis ir piemērots bērniem no 6 mēnešiem līdz 4 gadiem vai līdz 22 kg (33lbs), atkarībā no tā, kurš nosacījums tiek izpildīts vispirms.

BRĪDINĀJUMS! IZKRIŠANAS RISKS. Bērnam izkrītot vai izslīdot no sēdekļa, pastāv nopietnu traumu risks. Vienmēr lietojiet aizsardzības sistēmu.

1. Sēdeklis ir piemērots bērniem no 6 mēnešiem līdz 4 gadiem, vai līdz 22 kg – atkarībā no tā, kurš nosacījums tiek izpildīts vispirms.
2. Tutis MIO/MIO plus sēdeklis ir savietojams tikai ar Tutis MIO/MIO plus rāmi.
3. Nekad neļaujiet bērnam stāvēt sēdekli. Esiet uzmanīgi, bērns var piecelties stāvus, pat ja tiek lietota aizsardzības sistēma.
4. Sēdekli nedrīkst izmantot bez rāmja.

Lietus pārsegam

1. Raugieties, lai lietošanas laikā lietus pārsegs nepieskaras bērna sejai.
2. Lietojot lietus pārsegu, bieži pārbaudiet bērnu.
3. Nelietojiet lietus pārsegu ilgstoši.
4. Nelietojiet lietus pārsegu, kad nelīst.
5. Neatstājiet savu bērnu zem lietus pārsega saulainā laikā, lai bērns nepārkarstu.
6. Nelietojiet lietus pārsegu telpās.

Ja kāds no šiem norādījumiem nav pietiekami skaidrs, sazinieties ar Tutis pārstāvi, lai iegūtu sīkāku skaidrojumu.

IZSTRĀDĀJUMA KOPŠANA

Sēdeklis un kulba

BRĪDINĀJUMS! Nekad neatstājiet ratiņus ilgstoši tiešos saules staros. Ilgstoša atrašanās saules staros var izbalināt audumu.

- Lietus vai sniega laikā vienmēr lietojiet lietus pārsegu.
- Lai novērstu kondensāta un pelējuma veidošanos, neglabājiet ratiņus mitrā telpā vai telpā ar krasām temperatūras svārstībām.

Auduma kopšana

- Kulbas iekšējo polsterējumu un matrača pārvalku drīkst mazgāt ar rokām 30 °C temperatūrā. Pirms mazgāšanas noņemiet matrača pārvalku. Lietojiet saudzīgu mazgāšanas līdzekli. Rūpīgi izskalojiet. Žāvējiet dabīgi.

- Visus pārējos audumus drīkst tīrīt tikai ar mitru lupatiņu, siltu ūdeni un saudzīgu tīrīšanas līdzekli. Nedrīkst mazgāt veļas mazgājamā mašīnā.
- Gludināt ar tvaiku.

Rāmis:

- Ja rāmis ir kļūvis slapjš, noslaukiet to ar sausu lupatiņu un ļaujiet tam dabīgi nožūt, nenovietojot ratiņus atklātas liesmas vai citu karstuma avotu tuvumā. Pirms novietošanas glabāšanai pārlicinieties, vai ratiņi ir pilnīgi sausi.
- Pēc ratiņu lietošanas jūrmalā vai uz grants ceļa, nomazgājiet rāmi ar tīru, tekošu krāna ūdeni un nosusiniet, lai neveidojas rūsā.
- Ik pēc trim mēnešiem vai pēc ratiņu mazgāšanas un tīrīšanas ritošos mehānismus ieziediet ar silikona vai kādu citu rūpniecisku smērvielu.
- Regulāri pārbaudiet, vai ratiņu kniedes, skrūves un uzgriežņi nav atskrūvējušies.
- Atļautā novirze no taisnas trajektorijas uz līdzenas virsmas ir 10:100 cm.

LV

Riteņi:

- **SVARĪGI!** Pirms pirmās lietošanas reizes ieeļļojiet aizmugurējo riteņu un priekšējo dakšu asis.
- Ūdens, sāls, smiltis un netīrumi var izraisīt asu koroziju. Vismaz reizi mēnesī ieeļļojiet asis ar smērvielu. Pirms ieeļļošanas notīriet asis ar salveti.
- Ja pamanāt, ka ratiņi ir zaudējuši manevrējamību, tad priekšējās dakšas augšējās daļas gumiju ieeļļojiet ar plānu smērvielas kārtiņu.
- Jauna izstrādājuma pieļaujamais sānu ietvara izliekums ir +/- 1 mm.
- Iespējams iegādāties ratiņus ar piepumpējamām riepiem. Maksimālais spiediens riepiem nedrīkst pārsniegt 0,8 bar (115 PSI). Mīksta riepa nodrošina labāku amortizāciju uz nelīdzenas virsmas. Ja spiediens riepiem pārsniedz 0,8 bar (115 PSI), var tikt deformēts ratiņu ietvars vai riepa var sprāgt.

Bremze

- **BRĪDINĀJUMS!** Nekad nedarbiniet bremzi ar spēku.
- Bremzes mehānisms sastāv no kustīgām detaļām, kam ir nepieciešama regulāra kopšana.
- Bremzes mehānismā var iekļūt smiltis, putekļi vai netīrumi. Ja pamanāt, ka bremzes mehānisms nedarbojas vai ja tas darbojas smagāk nekā parasti, izskalojiet to ar smērvielu saturošu aerosolu vai ūdens strūklu un birsti, tad ieeļļojiet bremzes pedāļa darbvirsmu.

Glabāšana un transportēšana

- Nepārslogojiet ratiņus, nespiediet tos ar bagāžnieka vāku, jo ilgstoša ratiņu pārslodze var neatgriezeniski deformēt to detaļas, īpaši sēdekli, ratiņu riteņus un saulesargu.
- Ja izstrādājumu novietosiet ilgstošā glabāšanā, noņemiet no rāmja aizmugurējos un priekšējos riteņus.

GARANTIJAS NOTEIKUMI

1. Šim izstrādājumam tiek piemērota garantija attiecībā uz ražošanas vai materiālu defektiem, pieņemot, ka izstrādājums lietots tam paredzētajam nolūkam un ka ir ievēroti šīs lietošanas instrukcijas norādījumi.

2. Garantijas termiņš stājas spēkā ar izstrādājuma iegādes datumu, kas norādīts pirkuma čekā. Pirkuma čeku glabājiet drošā vietā un nokopējiet to.
3. Garantija nodrošina tiesības uz remontu, ja vien ražotājs neuzskata, ka ir nepieciešams nomainīt vai atgriezt izstrādājumu.
4. Ražotājam ir tiesības pārtraukt kāda modeļa, krāsas, auduma vai aksesuāra ražošanu, tāpēc garantijas termiņā ražotājs bojāto detaļu drīkst aizvietot ar līdzīgu detaļu, krāsu vai audumu.
5. Garantija ir derīga tikai tajā valstī, kur veikts pirkums.
6. Šī garantija neizslēdz, neierobežo vai kā citādi neietekmē likumā noteiktās patērētāju tiesības.
7. Lai pieprasītu garantiju, jums mazumtirgotājam ir jāiesniedz:
 - datēta pirkuma čeka kopija;
 - skaidrs sūdzības apraksts;
 - bojātais izstrādājums un/vai bojātās detaļas vai izstrādājuma attēli.
8. Tutis pārstāvim ir tiesības noteikt, vai ir ievēroti garantijas noteikumi.
9. Pirms izstrādājuma nogādes pēcpārdošanas servisam, lūdzu notīriet to.

Garantija neattiecas uz:

1. Bojājumiem, kuru cēlonis ir normāls ikdienas nolietojums, un bojājumiem, kas radušies nolaidības vai negadījuma dēļ.
2. Bojājumiem, kuru cēlonis ir nepareiza izstrādājuma lietošana vai neatbilstoša kopšana. Lūdzu, izlasiet šīs instrukcijas norādījumus par pareizu izstrādājuma lietošanu un kopšanu.
3. Bojājumiem, kuru cēlonis ir korozija, pelējums vai rūsā nepareizas kopšanas vai servisa dēļ.
4. Bojājumiem, kas radušies, ievietojot/transportējot izstrādājumu lidmašīnā.
5. Riepu bojājumiem.
6. Bojājumiem, kuru cēlonis ir ilgstoša izstrādājuma atrašanās spilgtā saules gaismā, sviedri, tīrīšanas līdzekļi, glabāšana mitrā vietā vai mazgāšana.
7. Nelielām, nebūtiskām materiālu variācijām (piemēram, krāsas maiņa starp detaļām).
8. Bojājumiem, kuru cēlonis ir trešo personu veikts remonts vai izstrādājuma pārveidošana.
9. Netiešiem bojājumiem, kas nodarīti citām personām un/vai priekšmetiem.
10. Bojājumiem, kuru cēlonis ir trešo personu veikta citu detaļu montāža, kas nav savietojama ar šo izstrādājumu.
11. Nejaušiem bojājumiem un bojājumiem, kuru cēlonis ir izstrādājuma neparasta lietošana vai nepietiekama kopšana.
12. Bojājumiem, kuru cēlonis ir nepareiza izstrādājuma glabāšana vai kopšana.
13. Saistībā ar pircēja neapmierinātību ar izstrādājumu (tās piemērotību, svaru, funkcionalitāti, krāsu vai dizainu).

Vairāk informācijas

www.tutis.lt

Tālruni: +370 372 67259; +370 656 05846

E-pasts: support@tutis.lt

Hei Eventyrere,

Gjør deg klar til å starte den magiske reisen med foreldreskap! Vi er så glade for at Tutis barnevogn vil følge deg på denne reisen.

Vennligst les instruksjonene nøye og lær om alle mulighetene med Tutis barnevogn. Dette vil bidra til å sikre babyens trygghet, sikkerhet og komfort.

Nyt spaserturen, Tutis.

SIKKERHETSINFORMASJON OG ADVARSLER

VIKTIG! Unnlattelse av å følge advarsler og instruksjoner kan føre til alvorlig personskade eller død. For ditt barns sikkerhet, les denne brukerhåndboken før du bruker dette produktet. Dette produktet er laget i henhold til EN1888-2:2018+A1:2022 Sikkerhetskrav og testmetoder for barnevogner.

ADVARSEL! Viktig - les nøye og oppbevar for fremtidig bruk.

ADVARSEL! Aldri etterlat barnet uten tilsyn.

ADVARSEL! Kontroller at alle låsemekanismer er aktivert før bruk.

ADVARSEL! For å unngå personskade, sørg for å holde barnet ditt på avstand mens du slår opp og slår sammen produktet.

ADVARSEL! La ikke barnet leke med produktet.

ADVARSEL! Kontroller før hver bruk at låsemekanismene for barnevognbagen, eller bilsetet virker som de skal.

ADVARSEL! Dette produktet egner seg ikke for løping eller for bruk med rulleskøyter.

Bruksbegrensninger

1. Maksimal belastning i en bæreveske er 2 kg.
2. Maksimal belastning i en bleiepose er 2 kg.
3. Overskridelse av maksimal belastning skaper ustabile farlige forhold.
4. Enhver belastning festet til styret, setet eller siden av barnevognen vil påvirke stabiliteten.
5. Dette produktet skal bare brukes til ett barn om gangen.
6. Bare reservedeler levert eller anbefalt av produsent eller distributør skal brukes.

Sikkerhetstiltak

For produktet generelt

1. Parkeringsbremsen skal aktiveres når barnet plasseres og tas opp.
2. Ikke bruk om en del av produktet er ødelagt, revnet eller mangler. Sørg for at eventuelle

NOR

skadede eller slitte deler repareres umiddelbart. Ikke bruk Tutis MIO/MIO plus deler eller tilbehør for andre produkter, om produsenten ikke erklærer kompatibilitet.

3. Ta barnet ut av produktet før du går opp eller ned trapper eller på bratt eller ustabil underlag. Vær forsiktig når du hever eller senker produktet opp eller ned en kantstein eller på andre ujevne overflater.

4. Ikke bruk i rulletrapper.

5. Bruk alltid parkeringsbremsen når du ikke beveger deg med produktet.

6. Ikke bruk produktet eller noen av dets komponenter i nærheten av åpen ild eller annen varmekilde.

7. Vær ekstra forsiktig når du bruker produktet på eller i nærheten av offentlig transport.

8. Dette produktet er ikke motstandsdyktig mot saltvann.

9. Det er mulig at gummidekkene kan etterlate permanente merker på gulv som syntetisk laminat eller organiske overflategulv (parkett, linoleum og teppe). Om du har noen av disse gulvene, må du være forsiktig med å bruke produktet innendørs.

For bærebag

ADVARSEL! Aldri bruk dette produktet på et stativ eller plattform

VIKTIG! Behold denne manualen for fremtidig referanse.

ADVARSEL! Dette produktet egner seg kun til barn som ikke kan sitte selv.

ADVARSEL! Maksimal vekt for et barn i bærebagen er 9 kg. (20 lbs).

ADVARSEL! FALLFARE. Bevegelser til et barn kan føre til at bærebagen beveger seg. Legg aldri bærebagen på sengen, sofaen eller en annen myk overflate. Plasser aldri bærebager på en benkeplate, et bord eller en annen forhøyet overflate. Kun på et fast, horisontalt, plant og tørt underlag.

ADVARSEL! Må kun brukes på et fast underlag som er plant, horisontalt og tørt.

ADVARSEL! Ikke la andre barn leke uten tilsyn i nærheten av bærebagen.

ADVARSEL! Må ikke brukes om en del er ødelagt, revet eller mangler.

1. Tutis MIO/MIO plus bærebag er kun kompatibel med Tutis MIO/MIO plus ramme.

2. Et barns hode kan ikke være lavere enn kroppen mens barnet er i bærebagen.

3. Sørg for at håndtaket og bunnen inspiseres jevnlig for tegn til skade og slitte deler.

4. Før du bærer eller løfter, sørg for at håndtaket er i riktig bruksposisjon.

5. Før du bærer eller løfter, sørg for at den tilbakelente basen er justert i laveste posisjon.

6. Ikke legg en annen madrass på toppen av madrassen som er levert eller anbefalt av produsenten.

7. Bruk aldri denne bærebagen til å transportere et barn i et motorkjøretøy.

For seteenhet

ADVARSEL! Seteenheten passer for barn fra 6 måneder til 4 år eller opptil 22 kg (33lbs), avhengig av hva som kommer først.

ADVARSEL! FALLFARE. Unngå alvorlig skade fra et barn som faller eller glir ut. Bruk alltid sikringsssystem.

1. Seteenheten passer for barn fra 6 måneder til 4 år eller opptil 22 kg, avhengig av hva som kommer først.
2. Tutis MIO/MIO plus seteenhet er kun kompatibel med Tutis MIO/MIO plus ramme.
3. La aldri barnet stå opp i en seteenhet. Vær forsiktig, barn kan stå selv om selen brukes riktig.
4. Seteenhet kan ikke brukes uten ramme.

NOR

For regntrekk

1. Sørg for at regntrekk ikke kommer i kontakt med et barns ansikt under bruk.
2. Sjekk barnet ditt ofte når du bruker regntrekk
3. Ikke bruk regntrekk over lengre tid.
4. Ikke bruk regntrekk ute når det ikke regner.
5. Ikke la barnet ditt ligge under regntrekk i solskinn på grunn av fare for overoppheting.
6. Ikke bruk regntrekk innendørs.

Om noen av disse instruksjonene er utilstrekkelige klare, kan du kontakte din salgsrepresentant for detaljert forklaring.

VEDLIKEHOLD OG PLEIE

Seteenhet og bærebag

ADVARSEL! La aldri bærebagen eller seteenheten stå i direkte sollys over lengre tid. Langvarig eksponering for sollys kan føre til misfarging av tekstilet.

Bruk alltid regntrekk under regn eller snø.

For å forhindre kondens eller mugg, må du ikke oppbevare produktet i et fuktig rom eller i rom som er utsatt for temperatursvingninger.

Pleie av stoffet

Innvendig polstring av bærebagen og madrassdeksel kan vaskes for hånd i vann med temperatur på 30 °C. Bruk mildt vaskemiddel. Rens grundig. Tørk naturlig.

Alle andre tekstiler kan kun rengjøres med en fuktig klut, varmt vann og mild såpe. Ikke vask i vaskemaskin.

Bruk klesdamper for fjerning av rynker.

Ramme:

Om rammen blir våt, tørk det av med en tørr klut og la det tørke naturlig, borte fra åpen ild eller andre varmekilder. Sørg for at vognen er helt tørr før du lagrer den.

Etter å ha brukt vognen i nærheten av sjøen eller på en grusvei, vask rammen med rent rennende vann og tørk det for å forhindre rust.

Påfør silisiumfett eller annet industrielt fett på bevegelige mekanismer hver tredje måned eller etter vask og rengjøring.

Kontroller regelmessig om det er løse nagler, bolter og muttere.

Tillatt avvik fra rett bane på en jevn overflate er 10:100 cm

Hjul:

VIKTIG! Smør akslene på bakhjulene og framgaflene før bruk for første gang.

Eksposering for vann, salt, sand og smuss kan føre til at akslene korroderer. Smør akslene med fett minst en gang i måneden. Rengjør aksler med engangsserviett før smøring.

Påfør et tynt lag fett på gummien på toppen av forgaffelen om du merker at barnevognen har mistet manøvrerbarheten.

Det tillatte nye produktets sideutløp av felgen er +/- 1mm.

Vognen kan leveres med oppblåsbare hjul. For disse hjulene er det maksimale trykket 0,8 bar (115 PSI). Et mykt dekk gir bedre demping i ulendt terreng. Trykk høyere enn 0,8 bar (115 PSI) kan deformere felgen eller få dekket til å eksplodere.

Håndbrekk

ADVARSEL! Bruk aldri makt for å trekke eller slippe bremsen.

Parkeringsbremsemekanismen består av bevegelige deler og krever regelmessig vedlikehold.

Sand, støv eller smuss kan forstyrre bremsemekanismen. Om du la merke til at mekanismen ikke fungerer eller den jobber hardere enn vanlig, vask med smøremiddelspray eller vannstråle og en børste og smør arbeidsflater på bremsepedalen.

Lagring og transport

Ikke overbelast produktet eller jevne/knuse produktet med lokket på bagasjerommet, ettersom gjentatte innlastinger kan permanent deformere deler av produktet, spesielt hjul og parasoller på bærebagen eller seteenheten.

Fjern bak- og forhjulene fra rammen før du lagrer det over lengre tid.

BEGRENSET GARANTI

1. Dette produktet dekkes av en begrenset garanti, mot defekter i produksjon eller materiale, basert på normal bruk og om instruksjonene i denne brukerhåndboken er fulgt.
2. Den begrensede garantiperioden starter fra kjøpsdatoen som er angitt på salgskvitteringen. Lagre salgskvitteringen på et trygt sted og lag en kopi av den.
3. Begrenset garanti gir rett til reparasjon med mindre produsenten er av den oppfatning at erstatning eller retur av produktet er nødvendig.
4. Produsenten forbeholder seg retten til å slutte å produsere en bestemt modell, farge, stoff eller tilbehør, og derfor vil den erstatte en del med et lignende produkt, farge eller stoff i løpet av garantiperioden.
5. Begrenset garanti gjelder bare i det opprinnelige kjøpslandet.
6. Denne garantien utelukker, begrenser eller påvirker ikke lovfestede forbrukerrettigheter.
7. For å gjøre krav under begrenset garanti, må du gi forhandleren følgende:
 - en kopi av den daterte kvitteringen for kjøpet;
 - en klar beskrivelse av klagen;
 - det defekte produktet og/eller fotografiene av den defekte delen eller produktet.

8. Tutis's representant forbeholder seg retten til å avgjøre om de begrensede garantibetingelsene og vilkårene er oppfylt.

9. Rengjør produktet før levering til ettersalgsservice.

Følgende er ikke dekt i denne begrensede garantien:

1. Skade på grunn av normal slitasje fra daglig bruk, uaktsomhet eller ulykke.

2. Skade som skyldes feil bruk eller dårlig vedlikehold. Se denne brukerhåndboken for veiledning om korrekt bruk og vedlikehold.

3. Skader som skyldes korrosjon, mugg eller rust forårsaket av mangel på vedlikehold eller service.

4. Skade som er et resultat av flyselskapers håndtering eller forsendelse.

5. Skader på dekk.

6. Skade som er forårsaket av intenst sollys, svette, vaskemidler, fuktig lagring eller vask.

7. Problemer forårsaket av mindre variasjoner i materialer (f.eks. misfarging mellom deler).

8. Skade som skyldes reparasjon eller modifikasjoner fra tredjepart.

9. Følgeskade, for eksempel skade påført av personer og/eller andre gjenstander.

10. Feil montering eller installasjon av tredjepartsdelar som er inkompatible med produktet.

11. Utilsiktet skade, unormal bruk eller utilstrekkelig omsorg.

12. Feil lagring eller vedlikehold av produktet.

13. Kundens misnøye med produktet når det gjelder passform, vekt, funksjonalitet, farge eller design.

NOR

For mer informasjon

www.tutis.lt

Telefon: +370 372 67259; +370 656 05846

E-post: support@tutis.lt

Witajcie poszukiwacze przygód,

Przygotuj się na magiczną podróż poprzez uroki rodzicielstwa! Cieszymy się, że wózek Tutis będzie Ci towarzyszył w tej podróży.

Prosimy o dokładne zapoznanie się z instrukcją i ze wszystkimi możliwościami, jakie daje wózek Tutis. Pomoże to zapewnić dziecku bezpieczeństwo i komfort.

Zapraszamy na spacer, Tutis.

OSTRZEŻENIA I INFORMACJE DOTYCZĄCE BEZPIECZEŃSTWA

UWAGA! Nieprzestrzeganie instrukcji bezpieczeństwa może prowadzić do poważnych urazów lub śmierci. Dla bezpieczeństwa swojego dziecka, przeczytaj niniejszą instrukcję obsługi przed rozpoczęciem korzystania z produktu. Niniejszy produkt został stworzony zgodnie z normą EN1888-2:2018+A1:2022 „Wymagania bezpieczeństwa i metody badań wózków dziecięcych”.

OSTRZEŻENIE! Ważne – przeczytaj uważnie oraz zachowaj na przystość.

OSTRZEŻENIE! Nigdy nie zostawiaj dziecka bez opieki.

OSTRZEŻENIE! Przed użyciem upewnij się, że wszystkie elementy blokujące są prawidłowo zamocowane.

OSTRZEŻENIE! Aby uniknąć obrażeń, przed rozkładaniem i składaniem produktu upewnij się, że dziecko znajduje się w bezpiecznej odległości.

OSTRZEŻENIE! Nie pozwalaj dziecku na zabawę tym produktem.

OSTRZEŻENIE! Przed użyciem sprawdź, czy zatrzaski mocujące gondoli, siedziska wózka lub fotelika samochodowego są prawidłowo zamocowane.

OSTRZEŻENIE! Ten produkt nie nadaje się do biegania ani jazdy na rolkach!

Uwagi

1. Maksymalne obciążenie kosza pod siedziskiem wynosi 2 kg.
2. Maksymalne obciążenie torby na rączce wózka wynosi 2 kg.
3. Przekroczenie maksymalnego obciążenia może prowadzić do uszkodzenia wózka lub powstania niebezpiecznych.
4. Każde dodatkowe obciążenie przymocowane do rączki, siedziska lub boku wózka wpłynie na jego stabilność.
5. Ten produkt jest przeznaczony do przewożenia jednego dziecka w tym samym czasie.
6. Do produktu należy używać wyłącznie oryginalnych części zamiennych i akcesoriów Tutis.

Porady dotyczące bezpieczeństwa

Ogólne

1. Sprawdź, czy hamulec postojowy jest włączony przed włożeniem lub wyjęciem dziecka.
2. Nie używaj produktu, jeżeli dowolna jego część jest uszkodzona lub podarta bądź jej brakuje. Zadbaj o to, żeby uszkodzona lub zużyta część została niezwłocznie wymieniona. Nie używaj części zamiennych lub akcesoriów do innych wózków, w tym innych produktów Tutis, jeżeli producent nie wskazuje na ich kompatybilność z Tutis MIO/MIO plus.
3. Podczas wchodzenia lub schodzenia po schodach, jeździe po stromej lub niestabilnej nawierzchni, wyjmij dziecko z wózka. Bądź ostrożny podczas wjeżdżania na krawężnik lub zjeżdżania z niego.
4. Nie wjeżdżaj wózkiem na ruchome schody.
5. Gdy wózek stoi, zawsze zaciągaj hamulec postojowy.
6. Nie używaj produktu ani jego części w pobliżu otwartego ognia lub innego źródła ciepła.
7. Zachowaj szczególną ostrożność podczas korzystania z wózka w transporcie publicznym lub w jego pobliżu.
8. Produkt ten nie jest odporny na słoną wodę.
9. Istnieje możliwość, że gumowe opony mogą pozostawić trwałe ślady na podłogach takich jak laminat syntetyczny lub podłogi o powierzchni organicznej (parkiet, linoleum lub dywan). W przypadku podłóg tego typu w domu, zachowaj ostrożność przy korzystaniu z wózka wewnątrz.

PL

Gondola

OSTRZEŻENIE! Nie umieszczać gondoli w stojaku.

WAŻNE! Tę instrukcję należy zachować, aby móc z niej skorzystać w przyszłości.

OSTRZEŻENIE! Ten produkt przeznaczony jest wyłącznie dla dzieci, które nie potrafią samodzielnie usiąść.

OSTRZEŻENIE! Maksymalna waga dziecka w gondoli — 9 kg. (20 lbs).

OSTRZEŻENIE! RYZYKO WYPADNIĘCIA. Ruchy dziecka mogą powodować poruszenie się gondoli. Nigdy nie ustawiaj gondoli z dzieckiem na łóżku, kanapie lub innym miękkim podłożu. Nie stawiaj gondoli z dzieckiem na stole, blacie lub innych wysokich powierzchniach.

OSTRZEŻENIE! Stawiać wyłącznie na stabilnej, poziomej i suchej powierzchni.

OSTRZEŻENIE! Nie pozwalać innym dzieciom bawić się bez nadzoru w pobliżu gondoli.

OSTRZEŻENIE! Nie używać gondoli, jeśli jakkolwiek jej część jest uszkodzona, zużyta lub zagięta.

1. Gondola Tutis MIO/MIO plus jest kompatybilna wyłącznie z podwoziem Tutis MIO/MIO

plus.

2. Główka dziecka w gondoli nigdy nie powinna znajdować się niżej niż reszta ciała.
3. Rączkę i dolną część gondoli należy regularnie kontrolować pod kątem oznak uszkodzenia i zużycia.
4. Przed podniesieniem gondoli należy upewnić się, że ustawienie rączki jest prawidłowe.
5. Przed podniesieniem gondoli upewnić się, że regulowana podstawa znajduje się w najniższym ustawieniu.
6. Nie nakładać kolejnego materaca na materac dostarczony lub zalecany przez producenta.
7. W żadnym przypadku nie należy używać gondoli do przewożenia dziecka w samochodzie.

Siedzisko

OSTRZEŻENIE! Siedzisko jest odpowiednie dla dzieci od 6 miesięcy do 4 lat lub do 22 kg (33lbs), w zależności od tego, co nastąpi wcześniej.

OSTRZEŻENIE! RYZYKO WYPADNIĘCIA. Aby uniknąć poważnych obrażeń spowodowanych wypadnięciem dziecka z siedziska, zawsze używaj pasów bezpieczeństwa.

1. Siedzisko jest odpowiednie dla dzieci od 6 miesięcy do 4 lat lub do 22 kg, w zależności od tego, co nastąpi wcześniej.
2. Siedzisko Tutis MIO/MIO plus jest kompatybilne wyłącznie z podwoziem Tutis MIO/MIO plus.
3. Nie pozwalaj dziecku wstawać w siedzisku. Zachowaj czujność, dziecko może wstać nawet gdy jest przypięte pasami bezpieczeństwa.
4. Siedzisko nie jest przeznaczone do używania bez podwozia.

Ostona przeciwdeszczowa

1. Upewnij się, że podczas używania osłona przeciwdeszczowa nie dotyka twarzy dziecka.
2. Obserwuj swoje dziecko podczas korzystania z osłony przeciwdeszczowej.
3. Nie zakładaj osłony przeciwdeszczowej przez na długi czas.
4. Nie stosuj osłony przeciwdeszczowej gdy na zewnątrz nie pada.
5. Nie zostawiaj dziecka pod osłoną przeciwdeszczową w słoneczną pogodę ze względu na ryzyko przegrzania.
6. Nie używaj osłony przeciwdeszczowej wewnątrz pomieszczeń.

Jeśli dowolne z tych ostrzeżeń lub instrukcji są niewystarczająco jasne, skontaktuj się z przedstawicielem Tutis w celu uzyskania szczegółowych wyjaśnień.

KONSERWACJA I PIELEGNACJA

Siedzisko i gondola

OSTRZEŻENIE: Nigdy nie zostawiaj wózka na słońcu przez dłuższy czas. Długotrwałe działanie promieni słonecznych może spowodować zmianę koloru tkaniny wózka.

- W przypadku wystąpienia opadów deszczu lub śniegu, zawsze stosuj osłonę przeciwdeszczową.
- Aby uniknąć powstawania kondensatu lub pleśni, nie przechowuj wózka w wilgotnym

pomieszczeniu lub w pomieszczeniu narażonym na wahania temperatury.

Pielęgnacja tkanin:

- Wyściółkę gondoli oraz pokrowiec materaca można prać ręcznie w wodzie o temperaturze nie przekraczającej 30°C. Przed praniem zdejmij pokrowiec z materaca. Stosuj łagodne środki piorące. Dokładnie wypłucz. Susz naturalnie.
- Do czyszczenia wszystkich innych tkanin stosuj wyłącznie wilgotną ściereczkę i łagodny środek czyszczący. Nie pierz w pralce.
- Do prasowania tkanin używaj parownicy do ubrań.

Podwozie:

- Gdy podwozie jest mokre, po użyciu wytrzyj je suchą ścierką oraz wysusz. Susz sposobem naturalnym, z dala od źródeł ognia lub ciepła. Upewnij się, że wózek jest całkowicie suchy przed przechowywaniem.
- Po korzystaniu z wózka nad morzem lub na podłożu posypanym solą, umyj podwozie strumieniem czystej wody (z kranu) oraz wysusz, żeby zapobiec powstawaniu rdzy.
- Ruchome części smaruj smarem silikonowym lub innym gęstym smarem co 3 miesiące lub po umyciu lub czyszczeniu.
- Regularnie sprawdzaj, czy nie ma luźnych nitów, śrub lub nakrętek.
- Dopuszczalne odchylenie od prostej trajektorii na równej powierzchni w przypadku nowego wózka wynosi 10:100 cm.

PL

Koła:

- **UWAGA!** Przed pierwszym użyciem wózka posmaruj osie tylnych kół i przednich widelców.
- Kontakt z wodą, solą, piaskiem, błotem może spowodować korozję osi. Smaruj osie smarem co najmniej raz w miesiącu. Przed posmarowaniem wyczyść osie ściereczką jednorazową.
- Jeżeli zauważysz, że wózek stracił manewrowalność, nałóż cienką warstwę smaru na gumę w górnej części przedniego widelca.
- Dopuszczalne bicie boczne koła nowego produktu wynosi +/- 1mm.
- Wózek może być kompletowany z pompowanymi kołami. Maksymalne ciśnienie wynosi wówczas 0,8 bar (115 PSI). Miękką opona lepiej amortyzuje nierówności nawierzchni. Ciśnienie powyżej 0,8 bar (115 PSI) może zdeformować obręcz lub spowodować wybuch dętki.

Hamulec postojowy

- **OSTRZEŻENIE!** Nigdy nie należy używać siły aby zaciągnąć lub zwolnić hamulec.
- Mechanizm hamulca postojowego oraz układu amortyzacji kół składa się z ruchomych części i wymaga stałej konserwacji.
- Piasek, kurz lub błoto mogą zakłócać działanie mechanizmu hamulcowego i układu amortyzacji. Jeśli zauważysz, że mechanizm nie działa lub działa z większymi oporami niż zwykle, przemyj smarem w sprayu lub strumieniem wody i szczotką oraz nałóż smar na powierzchnie robocze pedału hamulca

Przechowywanie i transport:

- Nie przeciągaj produktu ani nie przygniataj go pokrywą bagażnika samochodowego, ponieważ długotrwałe obciążenie może trwale odkształcić części produktu, w szczególności koła i budkę gondoli oraz siedziska.
- Zalecamy zdjęcie tylnych i przednich kół z podwozia przed przechowywaniem wózka

przez dłuższy czas.

WARUNKI GWARANCJI

1. Ten produkt jest objęty gwarancją na wady produkcyjne lub materiałowe, opartą na normalnym użytkowaniu i przestrzeganiu instrukcji zawartych w niniejszym przewodniku użytkownika.
2. Okres gwarancji rozpoczyna się od daty zakupu wskazanej na dowodzie sprzedaży. Dowód sprzedaży przechowuj w bezpiecznym miejscu, wykonaj jego kopię.
3. Gwarancja uprawnia do naprawy, chyba że producent uzna, że konieczna jest wymiana lub zwrot produktu.
4. Producent zastrzega sobie prawo zaprzestania produkcji konkretnego modelu, koloru, tkaniny lub akcesorium, co oznacza, że zastąpi część, która uległa uszkodzeniu w okresie gwarancyjnym, podobnym elementem lub elementem w podobnym kolorze.
5. Gwarancja obowiązuje wyłącznie w państwie, w którym produkt został sprzedany.
6. Niniejsza gwarancja nie wyłącza, nie ogranicza ani w żaden inny sposób nie narusza ustawowych praw konsumenta.
7. W celu skorzystania z gwarancji należy przedłożyć sprzedawcy:
 - kopię dowodu sprzedaży z datą;
 - jasny opis reklamacji;
 - wadliwy produkt i (lub) zdjęcia wadliwej części lub produktu.
8. Przedstawiciel Tutis zastrzega sobie prawo ustalenia, czy warunki gwarancji były spełnione.
9. Produkt do serwisu obsługi gwarancyjnej należy dostarczyć czysty.

Gwarancja nie obejmuje:

1. Uszkodzeń powstałych wskutek niedbałości lub wypadku.
2. Uszkodzeń powstałych wskutek nieodpowiedniego użytkowania wózka lub jego nienależytej konserwacji. Proszę zapoznać się z niniejszą instrukcją, aby uzyskać wskazówki dotyczące prawidłowego użytkowania i konserwacji.
3. Uszkodzeń spowodowanych korozją, pleśnią lub rdzą powstałymi wskutek braku konserwacji lub obsługi.
4. Uszkodzeń powstałych podczas przewożenia samolotem lub w inny sposób.
5. Uszkodzeń opon.
6. Uszkodzeń spowodowanych przez intensywne promienie słoneczne, pot, środki czyszczące, przechowywanie w warunkach wilgotnych, czyszczenie.
7. Problemów spowodowanych przez niewielkie zmiany tkanin (np. zmiana barwy elementów wózka).
8. Uszkodzeń powstałych wskutek napraw wykonywanych przez osoby nieupoważnione.
9. Szkoły wyrządzonej ludziom albo innym przedmiotom.
10. Uszkodzeń powstałych po zamontowaniu nieodpowiednich, niekompatybilnych z produktem elementów stron trzecich.
11. Szkoły powstałej wskutek niezamierzonego uszkodzenia, nieprawidłowego użytkowania lub niewystarczającej konserwacji.
12. Szkoły, powstałej wskutek niewłaściwego przechowywania lub konserwacji produktu.
13. Niezadowolonia klienta z produktu pod względem dopasowania, wagi, funkcjonalności, koloru lub wzornictwa.

Więcej informacji

www.tutis.lt

Numery telefonów: +370 372 67259, +370 656 05846

E-mail: support@tutis.lt

ПРИВЕТСТВУЕМ ВАС, ПУТЕШЕСТВЕННИКИ,

Приготовьтесь начать волшебный тур в мир родительства! Мы так рады, что коляска Tutis будет сопровождать вас на этом пути.

Пожалуйста, внимательно прочитайте инструкцию и узнайте обо всех возможностях коляски Tutis. Это поможет вам обеспечить безопасность и комфорт для малыша.

Наслаждайтесь прогулками!

ИНФОРМАЦИЯ И ПРЕДУПРЕЖДЕНИЯ ПО ТЕХНИКЕ БЕЗОПАСНОСТИ

RU

ВАЖНО! Несоблюдение предупреждений и инструкций может привести к серьезным травмам или смерти. В целях безопасности вашего ребенка, безопасной эксплуатации изделия в обязательном порядке необходимо изучить настоящее Руководство пользователя перед началом эксплуатации!

Это изделие было создано в соответствии с требованиями безопасности EN1888-2:2018+A1:2022 и методами испытаний для детских колясок и детских прогулочных блоков, принятыми в Европейском Союзе.

ПРЕДУПРЕЖДЕНИЯ!

1. Важно – внимательно прочитайте настоящую Информацию и предупреждения по технике безопасности и сохраните для дальнейшего использования.
2. Никогда не оставляйте ребенка без присмотра при использовании изделия.
3. Перед использованием убедитесь, что все механизмы крепления зафиксированы согласно прилагаемой к изделию инструкции по сборке.
4. Во избежание травм следите за тем, чтобы ребенок находился на безопасном расстоянии во время сборки и разборки изделия.
5. Во избежание травм не позволяйте ребенку играть с изделием, а также совершать иные действия, не связанные с

безопасной эксплуатацией изделия по его назначению.

6. Перед началом эксплуатации изделия убедитесь, что механизмы крепления люльки, прогулочный блок или автокресла правильно установлены (согласно прилагаемой к изделию инструкции по сборке).

7. Изделие не подходит для использования во время бега или катания на коньках (роликовых коньках, моноколесах и пр.).

Ограничения в использовании изделия

ВНИМАНИЕ! Производитель (продавец) не несет ответственности за повреждения изделия, получение травм при эксплуатации изделия вследствие неправильной эксплуатации изделия, в том числе, вследствие несоблюдения ограничений в использовании изделия.

1. Максимальная нагрузка на корзину для покупок составляет 2 кг.

2. Максимальная нагрузка на сумку для мамы составляет 2 кг.

3. Превышение максимальной нагрузки создает нестабильные опасные условия. Во избежание повреждения или порчи изделия / получения травм превышение максимальной нагрузки потребителем не допускается.

4. Любой тяжелый предмет, который подвешивается на ручку, к прогулочному блоку или сбоку коляски, нарушает её равновесие. Во избежание повреждения или порчи изделия / получения травм подвешивание потребителем на ручку, к прогулочному блоку или сбоку коляски любых тяжелых предметов не допускается.

5. Коляска предназначена для перевозки только одного ребенка.

6. При эксплуатации изделия должны использоваться только запасные части, поставляемые или рекомендованные производителем или дистрибьютором.

7. Изделие не подходит для использования во время бега или катания на коньках (роликовых коньках, моноколесах и пр.). Недопустимо использование настоящего изделия на эскалаторе.

8. Изделие не устойчиво к воздействию соленой воды. Не допускать попадания соленой воды на поверхности изделия во избежание потери изначального внешнего вида.

9. Резиновые шины могут оставлять следы на таких напольных поверхностях, как синтетический ламинат или органические поверхности (паркет, линолеум, ковер и пр.). Будьте осторожны при использовании изделия в помещении.

Рекомендации по технике безопасности

ВНИМАНИЕ! Производитель (продавец) не несет ответственности за повреждения изделия, получение травм при эксплуатации изделия вследствие неправильной эксплуатации изделия, в том числе, вследствие несоблюдения

или пренебрежения настоящими рекомендациями по технике безопасности.

Для изделия в целом

1. Тормоза должны быть зафиксированы, когда ребенок помещается в коляску или вынимается из неё.
2. Запрещается использовать коляску, если хотя бы один из её элементов неисправен или отсутствует.
3. Убедитесь, что все поврежденные или изношенные детали своевременно отремонтированы. Не используйте детали или аксессуары Tutis MIO/MIO plus для других изделий, если производитель не заявляет о совместимости. Не используйте детали или аксессуары от других изделий (производителей) для настоящего изделия (Tutis MIO/MIO plus), если производитель не заявляет о совместимости.
4. Не спускайте и не поднимайте коляску по лестнице или другим наклонным поверхностям, когда внутри коляски находится ребёнок. Будьте осторожны при подъеме или спуске по бордюру или на других неровных поверхностях.
5. Не используйте изделие на эскалаторе.
6. Во время остановки коляски всегда используйте тормоз.
7. Не используйте изделие или какие-либо его детали, аксессуары вблизи открытого огня или других источников тепла.
8. Будьте особенно осторожны при использовании изделия в общественном транспорте или рядом с ним.
9. Не допускается использование изделия (его составных частей) не по назначению.

RU

Для люльки

ВНИМАНИЕ! Никогда не используйте данное изделие на подставке.

ВНИМАНИЕ! Сохраните настоящую инструкцию для справки в будущем.

ВНИМАНИЕ! Данное изделие подходит только для ребенка, который не может сидеть самостоятельно.

ВНИМАНИЕ! Максимальный вес ребенка в люльке составляет 9 кг. (20 фунтов).

ВНИМАНИЕ! ОПАСНОСТЬ ПАДЕНИЯ. Движения ребенка могут привести к перемещению люльки. Никогда не ставьте люльку на кровать, диван или другую мягкую поверхность. Никогда не ставьте люльку на столешницу, стол или другую приподнятую поверхность.

ВНИМАНИЕ! Используйте только на твердой, горизонтальной, низкой, ровной и сухой поверхности.

ВНИМАНИЕ! Не позволяйте другим детям играть без присмотра рядом с люлькой.

ВНИМАНИЕ! Не используйте изделие, если какая-либо часть люльки поломана, порвана или отсутствует.

1. Люлька Tutis MIO/MIO plus совместима только с шасси Tutis MIO/MIO plus.
2. Голова ребенка не должна быть ниже туловища, пока ребенок находится в люльке.
3. Ручку и дно люльки следует регулярно проверять на наличие признаков повреждения или износа.
4. Прежде чем поднимать или переносить изделие, убедитесь, что ручка находится в корректном положении для использования.
5. Прежде чем поднимать или переносить изделие, убедитесь, что откидное основание отрегулировано и установлено в самое нижнее положение.
6. Не кладите еще один матрас поверх матраса, предоставленного или рекомендованного производителем.
7. Никогда не используйте люльку для перевозки ребенка в автомобиле.

Для прогулочного блока

1. **ВНИМАНИЕ!** Прогулочный блок не подходит для детей в возрасте до 6 месяцев.
2. **ВНИМАНИЕ!** Сиденье подходит для детей до 4 лет или до 22 кг (33 фунта) в зависимости от того, что наступит раньше.
3. **ВНИМАНИЕ!** ОПАСНОСТЬ ПАДЕНИЯ. Во избежание серьезных травм в результате падения или соскальзывания ребенка всегда используйте ремни безопасности.
4. Сиденье подходит для детей до 4 лет или до 22 кг в зависимости от того, что наступит раньше
5. Прогулочный блок Tutis MIO/MIO plus совместим только с шасси Tutis MIO/MIO plus. Не используйте прогулочный блок Tutis MIO/MIO plus с шасси от других изделий (производителей).
6. Не позволяйте ребенку вставать с места во время эксплуатации изделия с прогулочным блоком. Будьте осторожны, дети могут принимать стоячее положение даже при правильном использовании ремней безопасности.
7. Прогулочный блок не должен использоваться без шасси.

Для дождевика

1. Убедитесь, что дождевик не соприкасается с лицом ребенка во время использования.
2. Чаще проверяйте своего ребенка при использовании дождевика.
3. Не используйте дождевик в течение длительного периода времени.
4. Не используйте дождевик, когда нет дождя (осадков).
5. Не оставляйте ребенка под дождевиком в солнечную погоду из-за риска перегрева или других возможных осложнений.
6. Не используйте дождевик в помещении.

Если какое-либо из положений настоящего документа (Информации и предупреждений по технике безопасности) недостаточно ясно или является

непонятным покупателю, необходимо связаться с торговым представителем (продавцом) для получения подробных объяснений до начала использования изделия (до начала эксплуатации).

Инструкция по обслуживанию и уходу

Внимание! Производитель (продавец) не несет ответственности за повреждения изделия, произошедшие вследствие нарушения / пренебрежения со стороны покупателя правилами обслуживания и ухода за изделием, правилами хранения изделия.

Прогулочный блок и люлька

ПРЕДУПРЕЖДЕНИЕ! Никогда не оставляйте люльку или прогулочный блок под прямыми солнечными лучами в течение длительного периода времени. Длительное воздействие солнечных лучей может привести к обесцвечиванию ткани.

Всегда используйте дождевик под дождем или снегом.

Во избежание образования конденсата или плесени не храните изделие во влажном помещении или в любом помещении, подверженном сильным колебаниям температуры.

Уход за тканями

Внутреннюю обивку люльки и наматрасника можно стирать вручную в воде при температуре 30°C. Используйте нежное очищающее средство. Тщательно промойте изделие. Оставьте высохнуть естественным путем.

Все остальные ткани можно чистить только влажной тряпкой, теплой водой и мягким моющим средством.

Используйте отпариватель для одежды для удаления складок.

Шасси

Если шасси намочит, протрите его сухой тканью и оставьте высохнуть естественным путем, вдали от открытого огня или других источников тепла. Перед хранением убедитесь, что коляска полностью сухая.

После использования коляски на море или на покрытой песком дороге вымойте шасси чистой проточной водой и высушите его, чтобы предотвратить появление ржавчины.

Наносите силиконовую смазку или любую другую промышленную смазку на рабочие механизмы каждые 3 месяца или после мойки, чистки.

Регулярно проверяйте, нет ли незакрепленных заклепок, болтов и гаек. Допустимое отклонение от прямой траектории на ровной поверхности составляет 10:100 см.

Колеса

ВАЖНО! Смажьте оси задних колес и передние вилки перед первым использованием.

Воздействие воды, соли, песка, грязи может привести к коррозии осей. Смазывайте оси смазкой не реже одного раза в месяц. Перед смазкой очистите оси одноразовой салфеткой.

Нанесите тонкий слой смазки на резину в верхней части передней вилки, если вы

заметили, что коляска потеряла маневренность.

Допустимый ход колеса для нового изделия составляет +/- 1 мм.

Коляска может поставляться с надувными колесами. Для этих колес максимальное давление составляет 0,8 бар (115 фунтов на квадратный дюйм). Мягкая шина обеспечивает лучшую амортизацию на пересеченной местности. Давление выше 0,8 бар (115 фунтов на квадратный дюйм) может деформировать обод или привести к взрыву камеры колеса.

Тормоза

ПРЕДУПРЕЖДЕНИЕ! Никогда не применяйте силу для нажатия или отпускания тормоза.

Механизм тормоза состоит из подвижных частей и требует регулярного технического обслуживания. Песок, пыль или грязь могут помешать работе тормозного механизма.

Если вы заметили, что механизм не работает или требует больших усилий, чем обычно, промойте распылителем смазки или струей воды с щеткой и смажьте рабочие поверхности педали тормоза.

Эксплуатация изделия с неисправными тормозами недопустима.

Хранение и транспортировка

Не перегружайте изделие, так как длительная загрузка может привести к необратимой деформации деталей изделия, в частности колес и солнцезащитных капоров люльки или прогулочного блока.

Не сминайте изделие крышкой багажника автомобиля. Не допускайте перевозки с давлением на какие-либо части изделия.

Снимите задние и передние колеса с шасси, прежде чем хранить его в течение длительного периода времени.

Храните изделие в сухом темном помещении.

Если какое-либо из положений настоящего документа (Инструкция по обслуживанию и уходу) недостаточно ясно или является непонятным покупателю, необходимо связаться с торговым представителем (продавцом) для получения подробных объяснений до начала использования продукта (до начала эксплуатации).

ГАРАНТИЯ

На товар Tutis MIO/MIO plus (далее по тексту – «изделие», «коляска»)

1. Для данного изделия распространяется гарантия продавца на дефекты и недостатки изделия или материала изделия, возникшие до момента передачи изделия покупателю и начала его эксплуатации или возникшие после передачи изделия покупателю и после начала его эксплуатации при условии нормального использования коляски, соблюдения прилагаемой к изделию инструкции по сборке, инструкции по обслуживанию и уходу, правил хранения и перевозки, соблюдения ограничений в использовании изделия, рекомендаций по технике безопасности, руководства пользователя.

2. Гарантийный срок определяет продавец посредством его указания в товарном чеке.

3. Гарантийный срок начинается с даты покупки изделия, указанной в товарном чеке. Сохраните товарный чек в надежном месте и сделайте его копию.

4. Гарантия предоставляет покупателю право обращения в связи с обнаружением недостатков изделия. Если продавец (производитель) считает, что устранение недостатков изделия возможно без замены или возврата изделия, изделие принимается на гарантийный ремонт. Гарантийный ремонт производится в сроки, определенные в письменной форме соглашением (но не более 45 дней).

5. Производитель оставляет за собой право прекратить производство определенной модели, цвета, ткани или аксессуара. В связи с этим при гарантийном обслуживании продавец оставляет за собой право при отсутствии соответствующей модели, цвета, ткани или аксессуара заменить деталь аналогичной моделью, цветом, тканью или аксессуаром в течение гарантийного срока. При этом используются только совместимые детали, комплектующие и аксессуары.

6. Гарантия действительна для обращения в целях гарантийного обслуживания только в стране первоначальной покупки.

7. Чтобы воспользоваться гарантией, покупатель предоставляет продавцу следующее:

- заявление на гарантийный ремонт (с описанием проблемы / дефектов / недостатков);
- дефектное изделие (при необходимости дополнительно могут быть предоставлены фотографии дефектной детали или изделия).

Дополнительно просим покупателя предоставлять при обращении оригинал или копию товарного чека.

Продавец (представитель Tutis) оставляет за собой право определить, были ли соблюдены условия и положения гарантии продавца, в том числе срок обращения по гарантийному обслуживанию, а также были ли соблюдены условия нормального использования коляски, инструкции по сборке, инструкции по обслуживанию и уходу, правила хранения и перевозки изделия, ограничения в использовании изделия, рекомендации по технике безопасности. В случае спора о причинах возникновения недостатков товара производитель (продавец) проводит экспертизу изделия за свой счет. Если в результате экспертизы изделия установлено, что его недостатки возникли вследствие обстоятельств, за которые не отвечает производитель (продавец / уполномоченная организация / импортер), потребитель обязан возместить производителю (продавцу) расходы на проведение экспертизы, а также связанные с ее проведением расходы на хранение и транспортировку изделия.

8. Доставка изделия в авторизованный сервисный центр в целях обращения за гарантийным обслуживанием осуществляется силами покупателя. Пожалуйста, очистите изделие перед доставкой в сервисный центр.

Данная гарантия НЕ РАСПРОСТРАНЯЕТСЯ на:

1. Повреждения (недостатки), вызванные обычным износом в результате повседневного использования.
2. Повреждение (недостатки) вызвано неправильной эксплуатацией или неверным обслуживанием. Покупателю до начала эксплуатации изделия необходимо изучить руководство, прилагаемую к изделию инструкцию по сборке, инструкцию по обслуживанию и уходу, информацию и предупреждения по технике безопасности для получения информации по правильному использованию и техническому обслуживанию изделия.

3. Повреждение (недостатки) вызвано коррозией, плесенью или ржавчиной из-за отсутствия технического обслуживания и ухода.
4. Повреждение (недостатки) является результатом нарушения покупателем правил перевозки изделия.
5. Повреждение шин.
6. Повреждение (недостатки) вызвано нарушением / пренебрежением со стороны покупателя правилами обслуживания и ухода за изделием, правилами хранения изделия, в том числе, повреждение (недостатки) вызвано интенсивным воздействием солнца, пота, моющими средствами, влажным хранением или стиркой.
7. Претензии, связанные с незначительными различиями в материалах (например, различием цвета между частями, деталями).
8. Повреждение (недостатки) вызвано ремонтом или модификацией в не авторизованном сервисном центре.
Внимание! В течение срока гарантии ремонт изделия осуществляется в авторизованных сервисных центрах (список определяется производителем / продавцом). В случае осуществления покупателем ремонта изделия у другого лица гарантия прекращается.
9. Косвенный ущерб, причиненный при использовании изделия, например ущерб, причиненный любым лицам и/или любым другим объектам; повреждение (недостатки) изделия вызвано действиями третьих лиц.
10. Повреждение (недостатки) вызвано неправильным монтажом или установкой сторонних деталей, несовместимых с изделием.
11. Претензии, связанные с неудовлетворенностью покупателя с точки зрения габаритов, веса, функциональности, цвета или дизайна изделия.

Для получения дополнительной информации

Сервисный центр TUTIS

График работы: вторник-суббота: 11:00-18:00

Адрес: Москва, Ленинградское шоссе 20/1, МЦК БАЛТИЙСКАЯ

Тел.: 89096690062

E-mail: tutiservice007@gmail.com

HEJ ÄVENTYRARE,

gör er redo att börja föräldraskapets magiska resa! Vi är så glada att Tutis barnvagnen kommer att följa med er på denna resa.

Vänligen läs instruktionerna noggrant och lär er om alla möjligheter som Tutis barnvagnar erbjuder. Detta kommer att bidra till att säkerställa säkerheten och komforten för era barn.

Njut av promenaden, Tutis.

SÄKERHETSINFORMATION OCH VARNINGAR

VIKTIG! Underlåtenhet att följa varningar och instruktioner kan leda till allvarliga skador eller dödsfall. För ditt barns säkerhet, läs denna bruksanvisning innan du använder denna produkt. Denna produkt har skapats i enlighet med EN1888-2:2018+A1:2022 Säkerhetskrav och testmetoder för barnvagnar och liggvagnar.

VARNING! Viktigt – läs noggrant och spara för framtida bruk.

VARNING! Lämna aldrig barnet utan uppsikt.

VARNING! Se till att alla låsanordningar är spärrade innan du använder vagnen.

VARNING! För att undvika skada, se till att barnet är ur vägen när du fäller ut och ihop denna produkt.

VARNING! Låt inte barnet leka med denna produkt.

VARNING! Kontrollera att fastsättningsanordningarna för liggdelen eller sittdelen är korrekt fastsatta innan vagnen tas i bruk.

VARNING! Denna produkt är inte lämplig för att springa eller åka inlines med.

Användningsbegränsningar

1. Maximal belastning i en väska är 2 kg.
2. Maximal belastning i en blöjväska är 2 kg.
3. Överskridning av maximal belastning skapar instabila farliga förhållanden.
4. All belastning som fästs på styret, sittdelen eller sidan av barnvagnen kommer att påverka stabiliteten.
5. Denna produkt får endast användas för ett barn åt gången.
6. Endast reservdelar som levereras eller rekommenderas av tillverkaren eller

distributören får användas.

Säkerhetsråd

För produkten i allmänhet

1. Parkeringsbromsen ska vara inkopplad när barnet sätts in och tas ut.
2. Använd inte produkten om någon del av produkten är trasig, sönder eller saknas. Se till att skadade eller slitna delar repareras omedelbart. Använd inte Tutis MIO/MIO plus delar eller tillbehör för andra produkter, om inte tillverkaren anger att de är kompatibla.
3. Ta ut barnet ur produkten innan du går upp eller ner för trappor eller på en brant eller instabil yta. Var försiktig när du klättrar eller går ner för en trottoarkant eller på andra ojämna ytor.
4. Använd inte på rulltrappor.
5. Använd alltid parkeringsbromsen när du inte rör dig med produkten.
6. Använd inte produkten eller någon av dess komponenter i närheten av öppna lågor eller andra värmekällor.
7. Var extra försiktig när du använder produkten på eller nära kollektivtrafik.
8. Denna produkt är inte resistent mot saltvatten.
9. Det är möjligt att gummidäck kan lämna permanenta märken på golv såsom syntetiska laminat eller organiska ytgolv (parkett, linoleum och matta). Om du har något av dessa golv, var försiktig med produkten inomhus.

För liggdelen

WARNING! Använd aldrig denna produkt på stativ.

VIKTIGT! Behåll dessa bruksanvisningar för framtida bruk.

WARNING! Denna produkt är endast lämplig för barn som inte kan sitta utan stöd.

WARNING! Den maximala vikten för ett barn i liggdelen är 9 kg. (20 lbs).

WARNING! FALLRISK. Ett barns rörelser kan få liggdelen att röra sig. Placera aldrig liggdelen på en säng, soffa eller annan mjuk yta. Placera aldrig liggdelen på en bänkskiva, bord eller annan upphöjd yta.

WARNING! Använd endast på släta, plana, fasta och torra ytor.

WARNING! Låt inte andra barn leka utan tillsyn i närheten av liggdelen.

WARNING! Använd inte produkten om någon del av liggdelen är trasig, sönder eller saknas.

1. Tutis MIO/MIO plus liggdel är endast kompatibel med Tutis MIO/MIO plus chassi.
2. Ett barns huvud får inte vara lägre än kroppen, medan barnet är i liggdelen.
3. Handtaget och botten av liggdelen bör inspekteras regelbundet för tecken på skador och slitage.
4. Innan bärning eller lyft, se till att handtaget är i rätt användningsläge.
5. Innan bärning eller lyft, se till att den lutande basen är justerad i det lägsta läget.

6. Lägg inte en annan madrass ovanpå madrassen som tillhandahålls eller rekommenderas av tillverkaren.

7. Använd aldrig denna liggdel för att transportera ett barn i ett motorfordon.

För sittdelen

VARNING! Sittdelen är lämplig för barn från 6 månader till 4 år eller upp till 22 kg (33lbs) beroende på vad som kommer först.

VARNING! FALLRISK. Undvik allvarliga skador av ett barn som faller eller glider ut. Använd alltid fastsättningsanordningarna.

1. Sittdelen är lämplig för barn från 6 månader till 4 år eller upp till 22 kg beroende på vad som kommer först.

2. Tutis Aquas sittdel är endast kompatibel med Tutis MIO/MIO plus-chassit.

3. Låt aldrig ditt barn stå upp i en sittdel. Var försiktig, barn kan stå även när selen används på rätt sätt.

4. Sittdelen kan inte användas utan chassi.

SE

För regnskydd

1. Se till att regnskyddet inte kommer i kontakt med barnets ansikte under användning.

2. Kontrollera ditt barn ofta när du använder regnskyddet

3. Använd inte regnskyddet under en längre tid.

4. Använd inte regnskyddet utomhus när det inte regnar.

5. Lämna inte ditt barn under regnskyddet i soligt väder på grund av risk för överhettning.

6. Använd inte regnskyddet inomhus.

Om någon av dessa instruktioner inte är tillräckligt tydlig, vänligen kontakta din säljare för detaljerad förklaring.

UNDERHÅLL OCH VÅRD

Sittdel och liggdel

VARNING! Lämna aldrig liggdel eller sittdel i direkt solljus under en längre tid. Långvarig exponering för solljus kan leda till missfärgning av textilen.

· Använd alltid regnskydd vid regn eller snö.

· För att förhindra kondens eller mögel, förvara inte produkten i ett fuktigt rum eller i något rum som utsätts för temperaturfluktuationer.

Textilvård

· Inre stoppning av liggdel och madrasskydd kan handtvättas i 30 °C vatten. Använd mildt rengöringsmedel. Skölj noga. Torka naturligt.

· Alla andra textilier kan endast rengöras med en fuktig trasa, varmt vatten och mild tvål. Tvätta inte i tvättmaskin.

· Använd klädångare för att ta bort rynkor.

Chassi:

· Om chassit blir vått, torka av det med en torr trasa och låt det torka naturligt, borta från öppna lågor eller andra värmekällor. Se till att barnvagnen är helt torr innan du förvarar

den.

- Efter att ha använt barnvagnen nära havet eller på grusväg, tvätta chassit med rent rinnande kranvatten och torka det för att förhindra rost.
- Applicera silikonfett eller annat industrifett på rörliga mekanismer var tredje månad eller efter tvätt och rengöring.
- Kontrollera regelbundet om det finns lösa nitar, bultar och muttrar.
- Tillåten avvikelse från rak kurs på jämn yta är 10:100 cm

Hjul:

- **VIKTIGT!** Smörj axlar på bakhjul och framgafflar innan första användning.
- Exponering för vatten, salt, sand, smuts kan få axlarna att korrodera. Smörj axlarna med fett minst en gång i månaden. Rengör axlarna med engångsservett innan smörjning.
- Applicera ett tunt lager fett på gummit högst upp på framgaffeln om du märker att barnvagnen har förlorat manövrerbarheten.
- Produktens nya tillåtna laterala tolerans på fälgar är +/- 1mm.
- Barnvagnen kan levereras med uppblåsbara hjul. För dessa hjul är det maximala trycket 0,8 bar (115 PSI). Ett mjukt däck ger bättre dämpning över grov terräng. Tryck högre än 0,8 bar (115 PSI) kan deformera fälgen eller orsaka röret att explodera.

Parkeringsbroms

- **VARNING!** Använd aldrig kraft för att sätta till eller lossa bromsen.
- Parkeringsbromsmekanismen består av rörliga delar och kräver regelbundet underhåll.
- Sand, damm eller smuts kan störa bromsmekanismen. Om du märker att mekanismen inte fungerar eller om den arbetar hårdare än vanligt, tvätta med smörjmedelsspray eller vattenstråle och en borste och smörj arbetsytorna på bromspedalen.

Lagring och transport

- Överbelasta inte produkten eller krossa produkten med en bagageutrymmesdörr, eftersom långvarig lastning permanent kan deformera delar av produkten, särskilt hjul och solskydd på liggdelen eller sittdelen.
- Ta bort bak- och framhjulen från chassit innan du förvarar den under en längre tid.

BEGRÄNSAD GARANTI

1. Denna produkt omfattas av en begränsad garanti mot defekter i tillverkning eller material, baserat på normal användning och om instruktioner i denna bruksanvisning har följts.
2. Den begränsade garantiperioden börjar från det inköpsdatum som anges på försäljningskvittot. Spara försäljningskvittot på ett säkert ställe och gör en kopia av det.
3. Begränsad garanti ger rätt till reparation om inte tillverkaren anser att det är nödvändigt att byta ut eller returnera produkten.
4. Tillverkaren förbehåller sig rätten att sluta tillverka en viss modell, färg, tyg eller tillbehör, och ersätter därför en del med en liknande produkt, färg eller tyg under garantiperioden.
5. Begränsad garanti gäller endast i det ursprungliga inköpslandet.
6. Denna garanti utesluter, begränsar eller påverkar inte på annat sätt några lagstadgade konsumenträttigheter.
7. För att göra anspråk under begränsad garanti måste du förse återförsäljaren med följande:

- en kopia av det daterade inköpsmottagandet.
 - en tydlig beskrivning av klagomålet.
 - den defekta produkten och/eller fotografier av den defekta delen eller produkten.
8. Tutis-representanter förbehåller sig rätten att avgöra om de begränsade garantivillkoren är uppfyllda.
9. Vänligen rengör produkten innan du levererar den till service efter försäljning.

Följande omfattas inte av denna begränsade garanti:

1. Skador på grund av normalt slitage från daglig användning, vårdslöshet eller olycka.
2. Skador som orsakats av felaktig användning eller dåligt underhåll. Se denna bruksanvisning för vägledning om korrekt användning och underhåll.
3. Skador som beror på korrosion, mögel eller rost som orsakats av brist på underhåll eller service.
4. Skador som är resultat av flygbolagshantering eller frakt.
5. Skador på däck.
6. Skador som orsakats av intensiv solexponering, svett, tvättmedel, fuktig förvaring eller rengöring.
7. Problem som orsakats av mindre materialvariationer (t.ex. missfärgning mellan delar).
8. Skador som orsakats av reparation eller modifieringar av tredje part.
9. Följdsador, till exempel skador som orsakas någon person och/eller andra föremål.
10. Felaktig montering eller installation av delar från tredje part som är inkompatibla med produkten.
11. Oavsiktliga eller ouppsåtliga skador, onormal användning eller otillräcklig vård.
12. Felaktig förvaring eller produktvård.
13. Kundernas missnöje med produkten när det gäller passform, vikt, funktionalitet, färg eller design.

SE

För mer information

www.tutis.lt

Telefon: +370 372 67259; +370 656 05846

E-post: support@tutis.lt

ПРИВІТ, ШУКАЧІ ПРИГОД,

Будьте готові розпочати чарівну подорож батьківства! Ми раді, що вас у цій подорожі буде супроводжувати коляска «Tutis».

Будь ласка, уважно прочитайте інструкцію і дізнайтеся про всі технічні властивості коляски «Tutis». Це допоможе забезпечити безпеку і комфорт вашого немовлятка.

Насолоджуйтесь прогулянкою разом з «Tutis».

ІНФОРМАЦІЯ ПРО БЕЗПЕКУ ТА ПОПЕРЕДЖЕННЯ

ВАЖЛИВО! Недотримання вказівок щодо безпеки може призвести до серйозних травм або смерті. Задля безпеки своєї дитини, перед використанням виробу прочитайте цю інструкцію користувача. Цей виріб розроблено згідно Європейського стандарту EN1888-2:2018+A1:2022 «Вимоги безпеки та методи тестування дитячих колясок».

УВАГА! Важливо - уважно прочитайте та збережіть для подальшого ознайомлення.

УВАГА! Ніколи не залишайте дитину без нагляду.

УВАГА! Перед використанням переконайтеся, що всі фіксуючі пристрої з'єднані.

УВАГА! Щоб не допустити травм, перед складанням або розкладанням виробу завжди переконайтеся, що дитина знаходиться поодаль.

УВАГА! Не дозволяйте дітям гратися з цим виробом.

УВАГА! Перед використанням переконайтеся, чи кріплення коліски, сидіння або автокріселка коляски належним чином з'єднані.

УВАГА! Цей виріб не підходить для бігу або катання на роликах.

Обмеження у використанні

1. Максимально допустима вага в корзині під сидінням - 2 кг.
2. Максимально допустима вага в корзині на ручці - 2 кг.
3. Якщо перевищити максимально допустиме навантаження, візок може зламатися або можуть виникнути небезпечні обставини.
4. Будь-яке додаткове навантаження на ручку, сидіння або борт коляски негативно позначається на стійкості коляски.
5. Цей продукт призначений для однієї дитини одночасно.

6. Використовуйте для цього виробу тільки оригінальні запасні частини та аксесуари компанії «Tutis»

Поради щодо безпеки

У загальному щодо продукту

1. Перед тим, як покласти або взяти дитину, перевірте, чи затягнуто стоянкове гальмо.
2. Не використовуйте виробу, якщо яка-небудь його частина зламана, порвана або відсутня. Потурбуйтеся, щоб зламана або зношена деталь була негайно відремонтована. Не використовуйте деталей та аксесуарів Tutis MIO/MIO plus для інших колясок, включаючи інші вироби Tutis, якщо виробник не вказує взаємної сумісності.
3. Якщо ви піднімаєтесь або спускаєтесь по сходах, їдете по крутій або нестійкій основі, візьміть дитину з коляски. Будьте обережні, піднімаючись на бордюр або спускаючись з нього.
4. Не їдьте з коляскою на ескалаторі.
5. Коли ви їдете, зафіксуйте стоянкове гальмо.
6. Не використовуйте виріб або його частини поблизу відкритого вогню або інших джерел тепла.
7. Будьте особливо обережні під час користування коляскою у громадському транспорті або поблизу нього.
8. Цей виріб не стійкий до солоні води.
9. Існує ймовірність, що колісні шини можуть залишити довготривалі сліди на синтетичному ламінаті або на покритті підлоги з органічної основи (паркет, лінолеум або килим). Якщо вдома ви маєте підлогу такого типу, будьте обережні, користуючись коляскою всередині.

Для колиски

УВАГА! Ніколи не використовуйте цей виріб на підставці.

УВАГА! Збережіть цю інструкцію для довідки в майбутньому.

УВАГА! Цей виріб підходить лише для дитини, яка не може сидіти самостійно.

УВАГА! Максимально допустима вага дитини в колиці - 9 кг. (20 фунтів).

УВАГА! НЕБЕЗПЕКА ВИПАДІННЯ. Рухи дитини можуть розрухати колиску. Ніколи не кладіть колиски з дитиною на ліжко, диван чи іншу м'яку основу. Не кладіть колиски з дитиною на стіл, стільницю або іншу високу поверхню.

УВАГА! Використовуйте тільки на сухій, горизонтальній та твердій поверхні.

УВАГА! Не дозволяйте іншим дітям без нагляду гратися біля переносної колиски.

УВАГА! Не використовуйте виріб, якщо будь-яка частина переносної колиски поламана, порвана або відсутня.

1. Колиска Tutis MIO/MIO plus підходить для використання тільки з шасі Tutis MIO/MIO plus
2. Коли дитина знаходиться в колисці, її голова не може бути нижче її тіла.
3. Ручку та дно переносної колиски слід регулярно перевіряти на наявність ознак пошкодження чи зносу.
4. Перш ніж піднімати або переносити виріб, переконайтеся, що ручка знаходиться в коректному положенні для використання.
5. Перш ніж піднімати або переносити виріб, переконайтеся, що відкидну основу відрегульовано та встановлено в нижнє положення.
6. Не кладіть ще один матрац поверх матраца, наданого чи рекомендованого виробником.
7. Не використовуйте колиску як засіб перевезення дитини в автомобілі.

Для сидіння

УВАГА! Сидіння підходить для дітей від 6 місяців до 4 років або до 22 кг (33 фунти), що станеться раніше.

УВАГА! РИЗИК ВИПАДАННЯ. Уникайте серйозних травм внаслідок випадання дитини з сидіння. Завжди використовуйте систему пристібання.

1. Сидіння підходить для дітей від 6 місяців до 4 років або до 22 кг, що станеться раніше.
2. Сидіння Tutis MIO/MIO plus підходить для використання тільки з шасі Tutis MIO/MIO plus.
3. Не дозволяйте дитині стояти на сидінні. Будьте пильними, дитина може встати, навіть якщо вона пристебнута ременями безпеки.
4. Сидіння не призначене для використання без шасі.

Для захисту від дощу

1. Переконайтеся, що захист від дощу під час використання не торкається обличчя.
2. Часто перевіряйте свою дитину при використанні захисту від дощу.
3. Не використовуйте захист від дощу впродовж тривалого часу.
4. Не використовуйте захист від дощу на вулиці, коли дощ не йде.
5. Не залишайте дитину під захистом від дощу в сонячну погоду через ризик перегріву.
6. Не використовуйте захист від дощу в приміщенні.

Якщо яке-небудь попередження чи порада є неясним, зверніться до представника компанії «Tutis» для отримання більш вичерпного пояснення.

ДОГЛЯД ЗА ВИРОБОМ

Сидіння і колиска

УВАГА! Ніколи не залишайте коляску під прямим сонячним світлом протягом

тривалого часу. Внаслідок тривалої дії сонячних променів може змінитися колір тканин коляски.

- Якщо йде дощ або сніг, завжди використовуйте засоби захисту від дощу.
- Не зберігайте візок у вологому приміщенні або в приміщенні з перепадами температури, щоб уникнути утворення конденсату та цвілі.

Догляд за тканинами:

- Внутрішню підкладку коляски та чохол матрацика можна прати вручну у воді не вище 30°C. Перед пранням зніміть чохол з матраца. Використовуйте м'який миючий засіб. Ретельно прополощіть. Сушіть природним чином.
- Для чищення всіх інших тканин використовуйте лише вологу ганчірку та м'який миючий засіб. Не періть в пральній машині.
- Для прсування тканин використовуйте парову праску для одягу.

Шасі:

- Якщо шасі намокло, після використання витріть його сухою ганчіркою і висушіть. Сушіть природним чином, подалі від відкритого вогню або джерел тепла. Перед зберіганням перевірте, щоб коляска була повністю суха.
- Після використання на морі або на солоній дорозі промийте ходову частину струменем чистої води (з крану) і висушіть, щоб запобігти появі іржі.
- Змащуйте рухомі частини силіконом або іншою густою змазкою кожні 3 місяці, чи після миття або чищення.
- Регулярно перевіряйте, чи не ослабли заклепки, болти або гайки.
- Допустиме відхилення нової коляски від прямої траєкторії під час руху по рівній основі – 10:100 см

Колеса:

- **ВАЖЛИВО!** Перед першим використанням каретки змастіть осі задніх коліс та передніх вилок.
- Вплив води, солі, піску, бруду або пилу може спричинити корозію осей. Змащуйте осі змазкою не рідше одного разу на місяць. Перед змащенням начисто протріть осі одноразовою ганчіркою.
- Якщо ви помітили, що коляска втратила маневреність, нанесіть тонкий шар змазки на гумову деталь, що знаходиться зверху передньої вилки.
- Допустимий бічний люфт нового колеса візка +–1 мм.
- Коляска може бути укомплектована надувними колесами. У такому випадку максимальний тиск становить 0,8 бар (115 фунтів на квадратний дюйм). М'яка шина краще амортизує нерівності на поверхні дорожнього покриття. Тиск більше 0,8 бар (115 фунтів на квадратний дюйм) може деформувати обід або розірвати камеру.

Стоянкове гальмо

- **УВАГА!** Ніколи не застосовуйте силу, щоб натиснути на гальма або відпустити їх!
- Система стояночного гальма та амортизації коліс складається з рухомих частин. Вони потребують регулярного догляду.
- Пісок, пил або бруд можуть перешкоджати роботі гальмівної системи і амортизаторів. Якщо ви помітили, що система не працює або працює важче, ніж зазвичай, промийте її розприскувальною змазкою або струменем води і щіточкою та

змастіть робочі поверхні педалі гальма.

Складування і транспортування:

- Не перенавантажуйте виріб додатковою вагою і не стискайте кришку багажника виробу, оскільки тривале навантаження може остаточно деформувати частини виробу, особливо колеса та дашок колиски і сидіння.
- Для тривалого зберігання ми рекомендуємо зняти з шасі задні і передні колеса.

ГАРАНТІЙНІ УМОВИ

1. Цьому виробу надається гарантія щодо виробничих дефектів або дефектів його матеріалів, якщо цей виріб використовується відповідно до призначення, дотримуючись вказівок, що описані у цій інструкції користувача.
2. Гарантійний строк починається з дати покупки, зазначеної на квитанції про покупку. Зберігайте квитанцію про покупку в надійному місці, зробіть її копію.
3. Гарантія дає право на ремонт, хіба що виробник вважає, що виріб потрібно замінити або повернути.
4. Виробник залишає за собою право припинити виробництво конкретної моделі, її кольору, тканини або аксесуарів, а це означає, що протягом гарантійного терміну дефектна деталь буде замінена на деталь подібного кольору або подібну деталь.
5. Гарантія діє тільки в тій країні, де виріб був проданий.
6. Гарантія не виключає, не обмежує чи іншим чином не порушує жодних законами визначених прав споживачів.
7. Щоб скористатися гарантією, ви повинні надати продавцю:
 - копію квитанції про покупку, із зазначеною датою;
 - чітко викладену претензію;
 - виріб з дефектами і (або) фотографії виробу чи частини виробу з дефектами.
8. Представник компанії «Tutis» залишає за собою право визначити, чи були дотримані умови гарантії.
9. Виріб у сервіс гарантійного обслуговування доставте чистим.

Гарантія не стосується:

1. Шкоди, спричиненої внаслідок необережності або нещасного випадку.
2. Шкоди, спричиненої внаслідок неналежного використання коляски або неналежного догляду за коляскою. У цій інструкції ви знайдете вказівки щодо того, як належним чином користуватися коляскою та доглядати її.
3. Шкоди, викликаної корозією, цвіллю або іржею внаслідок недостатнього догляду чи обслуговування.
4. Шкоди, спричиненої внаслідок перевезення літаком або іншим способом.
5. Пошкоджень шин.
6. Шкоди, спричиненої внаслідок інтенсивної дії сонця, поту, миючих засобів, зберігання у вологих умовах, миття.
7. Проблем, викликаних незначними змінами матеріалів (напр., зміна кольору частин візка).
8. Шкоди, коли ремонт здійснюють неуповноважені на те особи.
9. Шкоди, завданої людям або іншим речам.
10. Шкоди, спричиненої монтажем неналежних деталей третіх сторін, які несумісні з

виробом.

11. Шкоди, спричиненої внаслідок ненавмисного пошкодження, неналежного використання або недостатнього догляду.

12. Шкоди, спричиненої внаслідок неналежного зберігання виробу або догляду за ним.

13. Невдоволення клієнта щодо придатності, ваги, функціональності, кольору чи дизайну виробу.

Вичерпніша інформація

www.tutis.lt

Телефони: +370 372 67259, +370 656 05846

Ел. пошта: support@tutis.lt

SERVICE AND MAINTENANCE RECORD

Date	Description	Signature

Date of purchase: Warranty period:

Seller:

